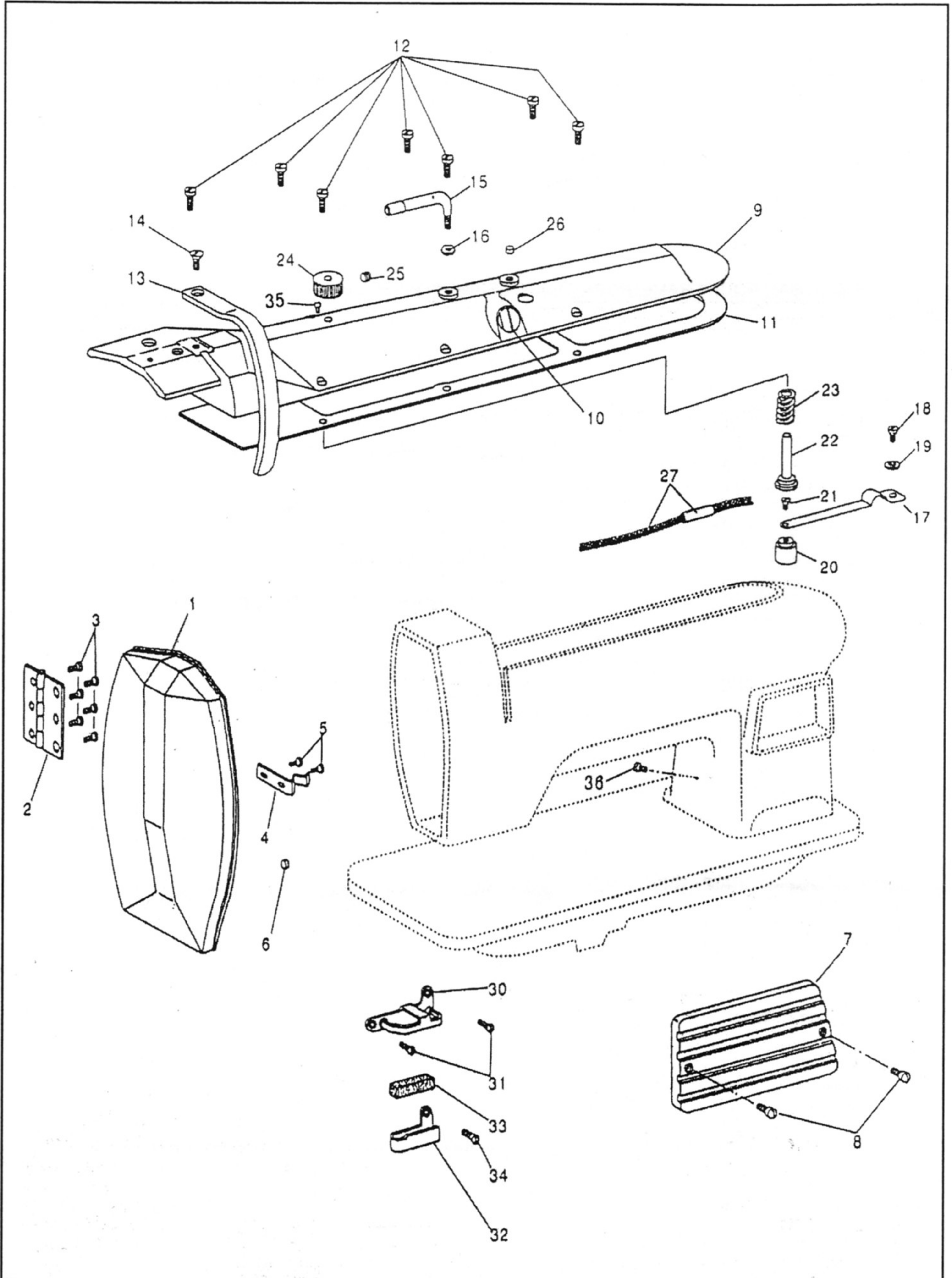


面板、上板  
FACE PLATE, ARM TOP COVER





面板、上板  
FACE PLATE, ARM TOP COVER

| NO. | 部品番号<br>PARTS NO. | 8LVMF | 8BLVMF | 数量<br>QTY | 品名             | DESCRIPTION                    |
|-----|-------------------|-------|--------|-----------|----------------|--------------------------------|
| 1   | 15035             | *     | *      | 1         | 面板             | FACE PLATE                     |
| 2   | 15036             | *     | *      | 1         | 蝶番             | HINGE                          |
| 3   | 15039             | *     | *      | 6         | 止めねじ           | SCREW 1/8×44 L=3.5             |
| 4   | 15037             | *     | *      | 1         | 面板ばね           | FACE PLATE SPRING              |
| 5   | 15039             | *     | *      | 2         | 止めねじ           | SCREW 1/8×44 L=3.5             |
| 6   | 15038             | *     | *      | 1         | 面板ゴム           | RUBBER                         |
| 7   | 15006             | *     | *      | 1         | 横板             | ARM SIDE COVER                 |
| 8   | 8040              | *     | *      | 2         | 止めねじ           | SCREW 9/64×40 L=8.0            |
| 9   | 15003             | *     | *      | 1         | 上板             | ARM TOP COVER                  |
| 10  | 11007             | *     | *      | 1         | 油量覗き窓          | OIL LEVEL INDICATOR            |
| 11  | 15004             | *     | *      | 1         | 上板シートパッキン      | GASKET                         |
| 12  | 15007             | *     | *      | 7         | 止めねじ           | SCREW 9/64×40 L=10.0           |
| 13  | 36708             | *     | *      | 1         | 天秤カバー          | THREAD TAKE-UP COVER           |
| 14  | 6031-02           | *     | *      | 1         | 止めねじ           | SCREW 11/64×40 L=9.0           |
| 15  | 11006             | *     | *      | 1         | 上板糸掛           | ARM TOP COVER THREAD GUIDE     |
| 16  | 13076-02          | *     | *      | 1         | ナット            | NUT 7/32×32                    |
| 17  | 15086             | *     | *      | 1         | 油調節板ばね         | OIL CONTROL SPRING             |
| 18  | 8040              | *     | *      | 1         | 止めねじ           | SCREW 9/64×40 L=8.0            |
| 19  | 11142             | *     | *      | 1         | ワッシャー          | WASHER                         |
| 20  | 11004             | *     | *      | 1         | 油調節おもり         | OIL REGULATOR                  |
| 21  | 10597             | *     | *      | 1         | 止めねじ           | SCREW 1/8×40 L=3.3             |
| 22  | 15058             | *     | *      | 1         | 給油遮断軸          | OIL REGULATING STUD            |
| 23  | 15059             | *     | *      | 1         | 給油遮断スプリング      | OIL REGULATING SPRING          |
| 24  | 15057             | *     | *      | 1         | 給油遮断ダイヤル       | OIL REGULATING DIAL            |
| 25  | 8009              | *     | *      | 1         | 止めねじ           | SET SCREW 15/64×28 L=7.5       |
| 26  | 15038             | *     | *      | 1         | 上板ゴム栓          | RUBBER                         |
| 27  | 15034C            | *     | *      | 1         | ビニールチューブ、油芯(組) | OIL TUBE AND OIL WICK COMPLETE |
| 30  | 15054             | *     | *      | 1         | 面糸掛け(上)        | THREAD GUIDE (UPPER)           |
| 31  | 10685             | *     | *      | 2         | 止めねじ           | SCREW 3.4×36 L=6.5             |
| 32  | 10759-A           | *     | *      | 1         | 面糸掛け(下)        | THREAD GUIDE (LOWER)           |
| 33  | 10760             | *     | *      | 1         | 面糸掛けフェルト       | FELT                           |
| 34  | 10685             | *     | *      | 1         | 止めねじ           | SCREW 3.4×36 L=6.5             |
| 35  | 15061             | *     | *      | 1         | 給油遮断ピン         | OIL REGULATING PIN             |
| 36  | 30046             | *     | *      | 1         | アース線止めねじ       | EARTH WIRE SCREW M4×0.7 L=4.0  |