

**K**
















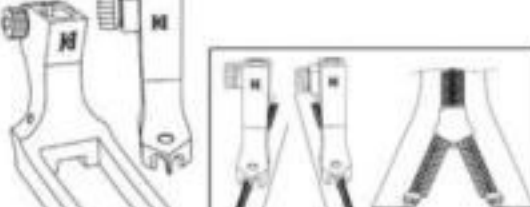






**2020  
MINTEX**







---



**SPARE PARTS & ATTACHMENT OF  
HEAVY DUTY**

# Single needle feet for Durkopp Adler 367/467/767 machine







KP367W	KP367N	KP367F	KP367LN	KP367RN	KP367T
 <p><b>0467 220043 + 0467 220013</b> Feeding feet 8mm Wide</p>	 <p><b>0367 225053 + 0367 225043</b> Feeding feet 5.8mm wide</p>	 <p><b>0367-220103 + 0067-220993</b> Binding, 12.2mm Inner Feet</p>	 <p><b>0367-220343 + 0067-220703</b> Stitching on edges on the left of the needle</p>	 <p><b>0367-220283 + 0067-220713</b> Stitching on edges on the right of the needle</p>	 <p><b>0367-220103 + 0067-220993</b> for Zipper, 5.5mm Inner Feet</p>
KP367-N081	KP367-L081	KP367-R081	KP467Q	KP367VX	KP367VC
 <p>Pressing feet width : 10mm Feeding feet width : 4.5mm</p>	 <p>Pressing feet width : 7.5mm Feeding feet width : 4.5mm</p>	 <p>Pressing feet width : 7.5mm Feeding feet width : 4.5mm</p>	 <p>For Uptumed material or seam with a large drop-height <b>* Must be used with KH467Q-NP/FD</b></p>	 <p><b>0767-220013 + 0467-220483</b> Climbing over cross seams and the like.</p>	 <p><b>0367-221543 + 0367-221553</b> Climbing over thicker material</p>
<p>Presser foot for narrow operation. They must be used together with KH467N081-NP/FD needle plate and feed dog.</p>					
KP367S	KP367TP	KP367-B	KP367-ZP	KP367-FG	KP367-FG2
 <p>Designed for small working</p>	 <p>Tape attaching tube on feeding feed Tape wide : 5mm or tailor-made</p>	 <p>Can be used together with KH467B needle plate and feed dog and KHB767</p>	 <p>Feet for invisible zipper, used together with KHF844</p>		
KP367LV	KP367RV	KP467LW	KP467RW		
					






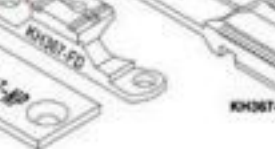

## Single needle guiding feet for Durkopp Adler machine 367/467/767

GL367	GL367X	GL367H	GR367	GR367X	GR367H
					
3, 4, 5, 6, 8, 9mm Left compensating guide	3, 4, 5, 6, 8, 9mm Stronger left compensating guiding & wider feeding feet for HEAVY DUTY	5, 6, 7, 8, 9mm Deeper left compensating guiding with balancing spring	3, 4, 5, 6, 8, 9mm Right compensating guide	3, 4, 5, 6, 8, 9mm Stronger right compensating guiding & wider feeding feet for HEAVY DUTY	5, 6, 7, 8, 9mm Deeper right compensating guiding with balancing spring




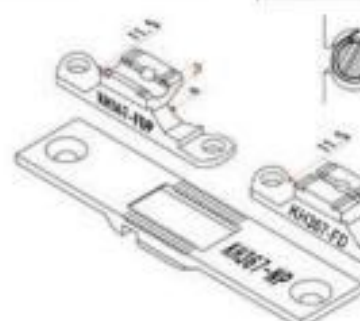
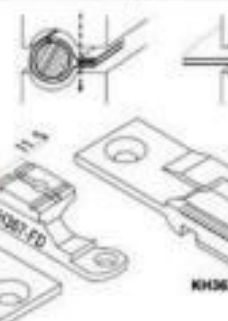
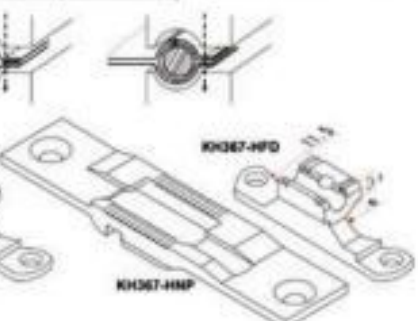
R367R	GD367				
					
3, 4, 5, 6mm Right roller guide	3/32", 1/8", 3/16", 1/4"				

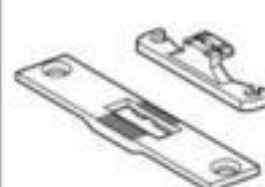

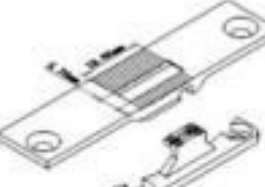
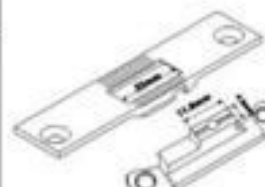
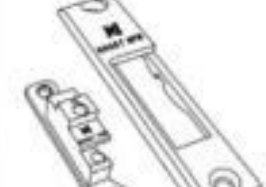

## Single needle piping/cord feet for Durkopp Adler 367/467/767 machine

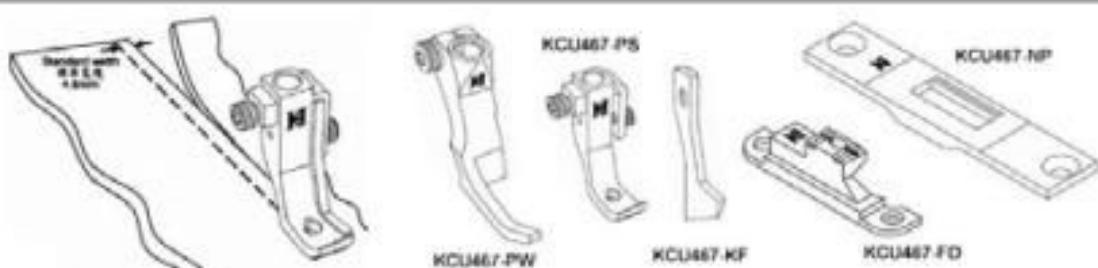
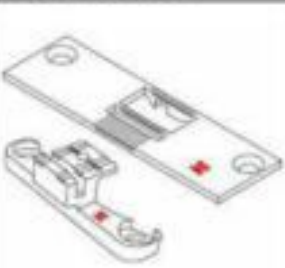
KH367PF	KH367PR	KH367PL	KH367PC	KP767TG	KH367PD
					
4, 5, 6, 8, 9mm Cording groove on the left of the needle	3.2, 4.8, 6.4mm Cording groove on the right of the needle	3, 4, 5, 6, 8, 9mm Cording groove on the left of the needle	5, 6mm Piping operation to the left of the needle	5, 6, 8mm Welt groove is integrated one half each in the presser feet and in the feeding feet.	3/16"x2, 1/4"x2, 3/8"x2 Double piping groove Needle hole in middle

KP767WG	KH367PJ	KH367PSL	KH367-NP	Grooved feed dog's main purpose is solving the problem of unbalance between upper and lower layers. It must be used together with KH367-PR/-PL/-PF presser feet.		KH367-HNP
						
0767 V91112 + 0767 V91165 5mm wide x 7mm high Welt groove is integrated one half each in the presser feet and in the feeding feet. It can be used together with KH367WS	3, 4, 5, 6, 8, 9mm Similar to KH367PL, Cording groove on the left of the needle. But groove position is adjustable in order to adjust the space between the needle and the cord.	3, 4, 5, 6, 8, 9mm It is similar to KH367PL, but its Welt groove is integrated one half each in the presser feet and in the feeding feet.	Needle plate for piping, which is used together with KH367FDP or KH367-FD	KH367-FDP Grooved feed dog for 5mm piping, totally 11.5mm wide	KH367-FD Feed dog for piping, 11.5mm wide	KH367-HNP Needle plate for larger piping, which is used together with KH367-HFD
						KH367-HFD Grooved feed dog for 6mm piping, which is used together with KH367-HNP

# Single needle gauge set for Durkopp Adler 767 machine











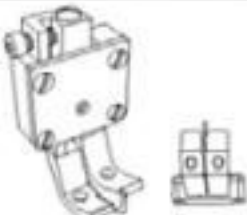


<p><b>0767-120064KH</b></p>  <p>Needle bar complete for single needle <b>0767-120060+</b> <b>0291-000159 +</b> <b>9203-312411</b></p>	<p><b>0291-000159</b> <b>Thread guide</b> <b>9203-312411</b> <b>Screw</b></p>  <p>(It is for 0767-120060 only, not 0767-120050. We can supply a special screw to fix 0291-000159 on our 767-120050)</p>	<p><b>KH767-NCS</b></p>  <p>Single Needle Needle Holder with Screw, used together with Double needle needle bar 0367-232010KH</p>	<p><b>KH367-NP</b></p> <p>Needle plate for piping, which is used together with <b>KH367FDP</b> or <b>KH367-FD</b></p> 	<p>Grooved feed dog's main purpose is solving the problem of unbalance between upper and lower layers. It must be used together with KH367-PR/-PL/-PF presser feet.</p> 	<p><b>KH367-HNP</b></p> <p>Needle plate for larger piping, which is used together with <b>KH367-HFD</b></p> 
			<p><b>KH367-FDP</b></p> <p>Grooved feed dog for 5mm piping, totally 11.5mm wide</p>	<p><b>KH367-FD</b></p> <p>Feed dog for piping, 11.5mm wide</p>	<p><b>KH367-HFD</b></p> <p>Grooved feed dog for 6mm piping, which is used together with <b>KH367-HNP</b></p>

<p><b>KH467-NP6/FD6</b></p>  <p>Feed Dog 8mm wide Max Stitch Length 6mm</p>	<p><b>KH467-NP11/FD11</b></p>  <p>Feed Dog 8mm wide Max Stitch Length 11mm</p>	<p><b>KH467Q-NP/FD</b></p>  <p>Used only with KP467Q presser feet For Upturned material or seam with a large drop-height</p>	<p><b>KH467N081-NP/FD</b></p>  <p>Used only with <a href="#">KP367-N081, R091, -L081</a> presser feet for narrow operation.</p>	<p><b>KH467-B</b></p>  <p>Feed dog enable the binder and its arm KHB-767 rocking together</p>	<p><b>0767-200030</b></p>  <p>Needle plate for 767-KFA-373-RAF-HP Max stitch length 9mm</p>
--	--	--	--	---	---


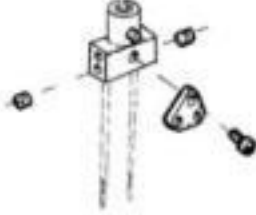


<p><b>KCU467-GS</b></p>			<p><b>367-200340</b> <b>367-210230</b></p>		
 <p>Edge Cutting Gauge set for Durkopp Adler 467/767 ( optional size 4.8mm and 3.0mm )</p>			 <p>Wider feeding area for piping or other operation</p>		

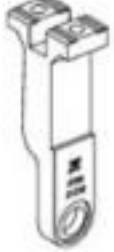
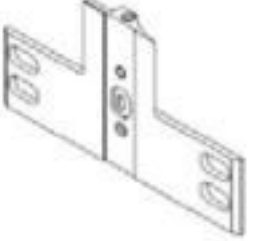
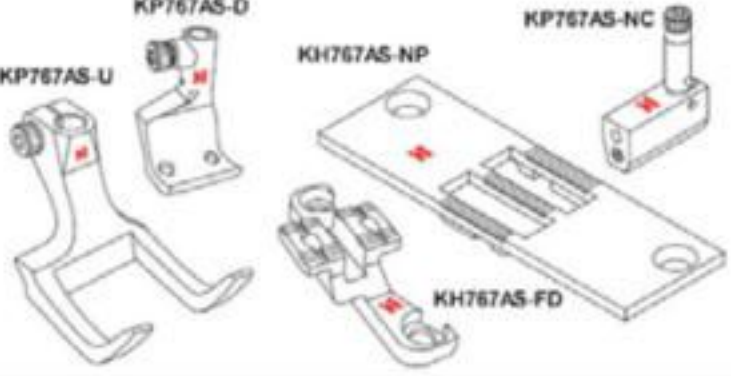
--	--	--	--	--	--

## Double needle feet for Durkopp Adler machine

<p><b>KP767</b></p>  <p>6, 8, 10, 12mm</p>	<p><b>KP768AO</b></p>  <p>6, 8, 10, 12, 14mm Skipping feet with pneumatic center guide</p>	<p><b>KP768-I</b></p>  <p>6, 8, 10, 12, 14mm Compensating feet</p>	<p><b>KP767UD</b></p>  <p>4, 5, 6, 8, 10, 12mm</p>	<p><b>KP767U</b></p>  <p>3, 4, 5, 6, 8, 10, 12, 14, 16mm</p>	<p><b>KP767S</b></p>  <p>6, 8, 10, 12, 14mm For small working</p>
<p><b>KP767SK</b></p>  <p>6, 8, 10mm</p>	<p><b>GA767R</b></p>  <p>5, 6, 8, 10, 12, 14mm Double needle feet with right guide. Guide pressure and guide level adjustable</p>	<p><b>GR767</b></p>  <p>6, 8, 10, 12mm</p>	<p><b>KP768MO + KP768MI</b></p>  <p>10mm needle space, for center piping</p>	<p><b>KP768-IX</b></p>  <p>6, 8, 10, 12, 14mm Compensating Inner Feet with a center guide on right toe</p>	
<p><b>KP768-HI</b></p>  <p>9.5mm 6, 8, 10, 12mm Support larger difference in height</p>	<p><b>KP767-EP</b></p>  <p>10, 12, 14mm Zipper feet used together with KHF844</p>				







## Double needle gauge set for Durkopp Adler 767 / 768 machine







<p><b>0367-232010KH</b></p>  <p>Needle Bar for double needle without needle holder</p>	<p><b>KH767-NC</b></p>  <p>3, 4, 5, 6, 8, 9, 10, 12, 14, 16mm</p> <p>Needle holder for double needle</p>	<p><b>KH767-NP/FD</b></p>  <p>3, 4, 5mm</p> <p>Needle plate for 767</p>	<p><b>KH767-NP/FD</b></p>  <p>6, 8, 10, 12, 14, 16mm</p> <p>Needle plate for 767</p>	<p><b>KH768-NP</b></p>  <p>5, 6, 8, 10, 12, 14, 16mm</p> <p>Needle plate for 768</p>	<p><b>KH768-NPT</b></p>  <p>5, 6, 8, 10, 12, 14, 16mm</p> <p>Needle plate for 768 with thread trimmer</p>
---	---	--	--	---	--

KH768-FD	KH768-NPC	KH767-AS Asymmetric Gauge Set ( optional size 8mm, 10mm, 12mm )			
 <p data-bbox="72 393 338 473"><b>5, 6, 8, 10, 12, 14, 16mm</b></p> <p data-bbox="110 481 300 508">Feed dog for 768</p>	 <p data-bbox="376 393 643 473"><b>5, 6, 8, 10, 12, 14, 16mm</b></p> <p data-bbox="356 481 653 508">Needle plate carrier for 768</p>	 <p data-bbox="1546 164 1850 457">This gauge set is a convenient solution for the user who use alternately single needle and double needles. The center is at the right needle hole but not the middle between two needles.</p>			

--	--	--	--	--	--




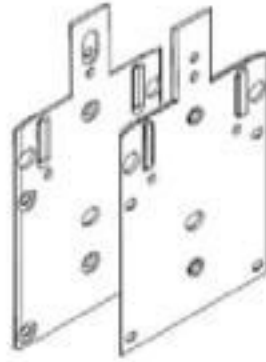


**Presser feet for Durkopp Adler 867 / 868 machine (12mm stitch length)**






KP867U	KP868-SO	KP868-SI	KP868-AO	GL867	GR867
 <p data-bbox="91 1468 319 1534"><b>6, 8, 10, 12, 14, 16mm</b></p>	 <p data-bbox="396 1468 624 1534"><b>6, 8, 10, 12, 14, 16mm</b></p>	 <p data-bbox="681 1468 910 1534"><b>6, 8, 10, 12, 14, 16mm</b></p>	 <p data-bbox="999 1468 1228 1534"><b>6, 8, 10, 12, 14, 16mm</b></p>	 <p data-bbox="1283 1468 1511 1534"><b>3, 4, 5, 6, 8, 9mm</b></p>	 <p data-bbox="1586 1468 1814 1534"><b>3, 4, 5, 6, 8, 9mm</b></p>

KP867W	KP867LN	KP867RN	GL867-H	GR867-H	KP768-I
			 <p data-bbox="1005 1963 1195 2000"><b>5, 6, 8, 9mm</b></p>	 <p data-bbox="1298 1963 1488 2000"><b>5, 6, 8, 9mm</b></p>	 <p data-bbox="1557 1963 1824 2000"><b>6, 8, 10, 12, 14mm</b></p>

--	--	--	--	--	--





## Gauge set for Durkopp Adler 867 / 868 machine







KH868-NB	KH868-NP	KH868-FD	KH868-NPC	KH867-DNP/DFD	867-210010FDH
					
Needle Bar with needle holder for single needle	6, 8, 10, 12, 14mm Needle plate Max. stitch length 12mm	6, 8, 10, 12, 14mm Feed dog Stitch hole size 3mm	8, 10, 12, 14mm Lateral cover	6, 8, 10, 12mm Needle size 110-140 Stitch length max. 9mm	Bigger Needle hole 867-210010 Needle hole 4.2 x 3.2 mm







867-200010	867-200020	867-200030	867-210010	KH867-BNP/BFD
				
Stitch length max. 6mm	Stitch length max. 9mm	Stitch length max. 12mm	Feed dog	Needle Plate and Feed Dog for Binding (Moving Arm)

--	--	--	--	--

## Feet for Durkopp Adler 69, 267, 269 machine

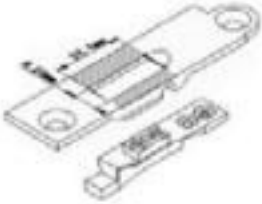
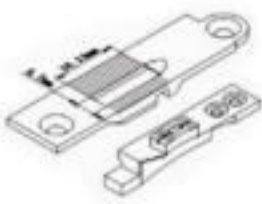
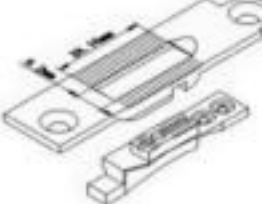
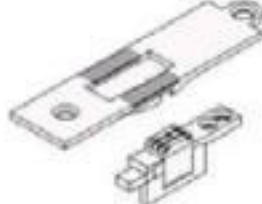


KP269UD	KP269	KP269SK	KP269DX	KP269W	KP269N
					
3, 4, 5, 6, 8, 10mm Double needle presser feet	6, 8, 10mm Double needle feet with center guide	6, 8, 10, 12mm For small working, with center guide	Inner feet with center guide	Regular feet set Inner feet 7.5mm wide	Narrow feet set Inner feet 6mm wide




KP269RN	KP269LN	KP269F	KP269S	KP269T	KP269TS
					
Stitching on edges on the right-hand-side of needle	Stitching on edges on the left-hand-side of needle	Presser feet set for binding	Feet set for small operation Used together with KH69S	Feet set for zipper Used together with KH69S	Narrower feet set for zipper Used together with KH69S

GR269	GL269	KH269PL	KH269PSL	KP267Q	GD269
					
<b>3, 4, 5, 6mm</b> With right guiding	<b>3, 4, 5, 6mm</b> With left guiding	<b>Groove size: 3, 4, 5, 6mm</b> Piping groove on the left-hand-size of needle	<b>Groove size: 3, 4, 5, 6mm</b> Piping Groove on the left-hand side of needle, and integrated one half each in the presser foot and in the feeding feet	For Uptumed material or seam with a large drop-height <b>* Must be used with KH267Q-NP/FD</b>	<b>3/32", 1/8", 3/16", 1/4"</b>


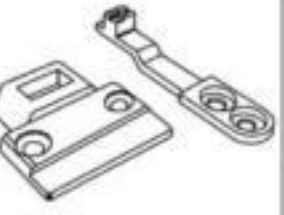
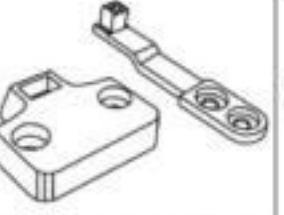
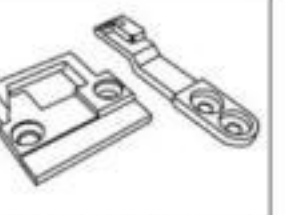
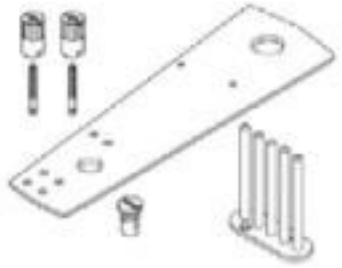
--	--	--	--	--	--

### Gauge set for Durkopp Adler 267 / 269 machine

KH267S-NP11/FD11	KH267Q-NP/FD	KH267NF-NP/FD	KH267D-NP/FD	KH767-NCS	KH767-NC
					
Max stitch length : 11mm Normal Needle Plate & Feed dog for 267	For Uptumed material or seam with a large drop-height * must be used with KP467Q	Conversion to 267 Needle Feed	<b>3, 4, 6, 8mm</b> Needle Plate & Feed dog for 267 double needle	It must be used together with 267 special needle bar KH269NB Needle holder for single needle	<b>3, 4, 5, 6, 8, 9, 10, 12, 14, 16mm</b> It must be used together with 267 special needle bar KH269NB






KH269NB	KH269D-NP/FD	KH269-NP/FD		
				
It is an adaptor for fixing our needle holder on 267/269 machine. 267/269 Needle Bar	<b>5, 6, 8, 10mm</b> Needle Plate & Feed dog for 269 double needle	Needle plate : 269-200010 Feed dog : 169-210080		

### Gauge set for Durkopp Adler 69 machine

KH69R	KH69D	KH69S	KH69F	KA69
				
Regular Needle plate and feed dog set Max. Stitch length : 8mm Plate top 20.5mm long	Raised, Small Needle plate and feed dog set Max. Stitch length : 5mm Plate top 16mm long	Extra Small needle plate and feed dog set Max. Stitch length : 3mm Plate top 12.3mm long	Needle plate and feed dog set for Binding Max. Stitch length : 8mm Plate top 20.5mm long	Arm cover for binding on 69 machine



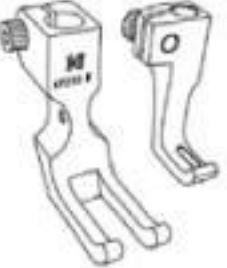
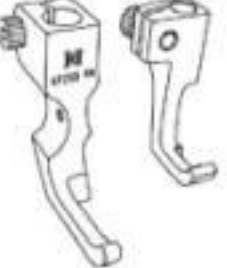
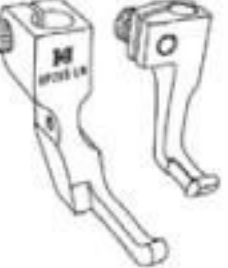
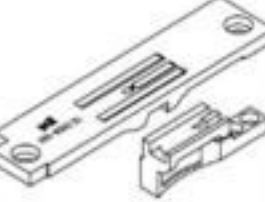
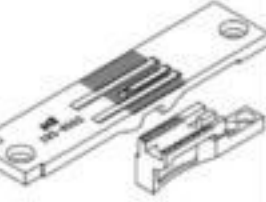
## Feet for Durkopp Adler 205-370 machine

KP205B	KP205LN	KP205RN	GR204	KH204PC	
					
Binding for 205-370 machine Used together with KH205NPB/FDB	Stitching on edges on the left of the needle for 205-370	Stitching on edges on the right of the needle for 205-370	4, 5, 6mm Right Guiding Feet	5, 6, 8, 9mm Piping Operation to left of the needle	

## Gauge set for Durkopp Adler 205-370 machine


KH205NPB/FDB	KH205M	KP205RG Presser Feet Optional size 3, 4, 5, 6mm	KH205RG-FD Feed Dog	KH205RG-NP Extended Needle Plate	
					
Feed Dog 11.4mm wide for Binding with 205-370 machine Used together with KP205B feet	Needle plate and Feed Dog for Smaller operation on 205-370 machine				

## Gauge set for Durkopp Adler 291, 294, 295 machine

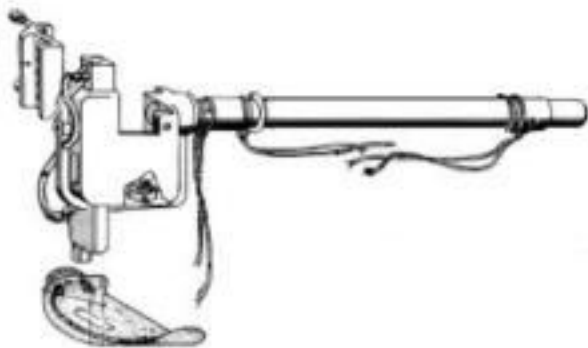
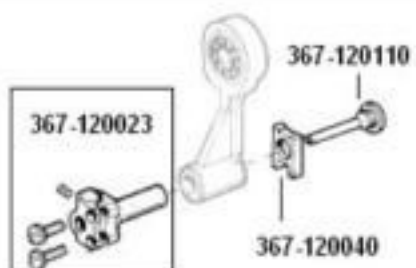
KP295W	KP295LN	KP295RN	KP295SS-NP/FD	KP295ST-NP/FD	
					
			Special designed for soft and thin material ( smooth feed dog )	Special designed for soft and thin material	

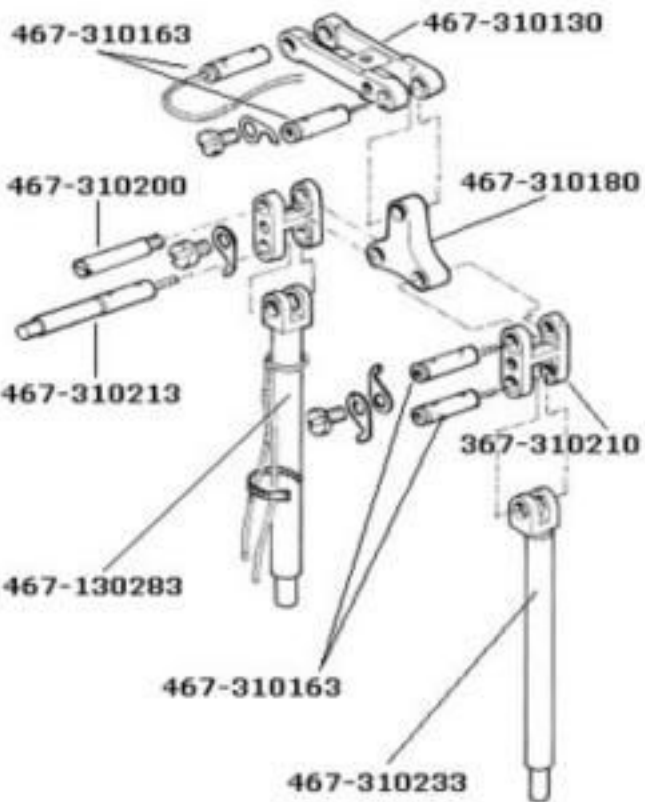



## Double needle gauge set for Durkopp Adler machine 1230i





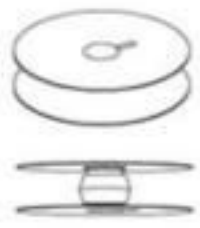

KP1230-D	GR1230	KH1230-FD	KH1230-NP	KG1230	KA1230B
					
3.5, 5, 6, 8, 10, 12mm	5, 6mm Guiding distance: 1.8mm	3.5, 5, 6, 8, 10, 12mm	3.5, 5, 6, 8, 10, 12mm		For the binders, please see our KHF2, 3, 4 Binder bracket

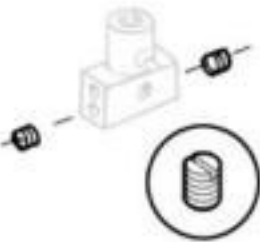
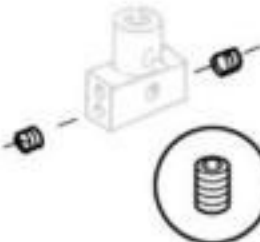
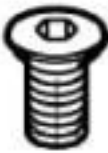
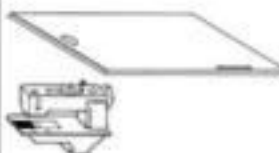
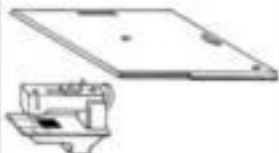

<b>KP1230-NC</b>					
					
3.5, 5, 6, 8, 10, 12mm					

**Spare parts for Durkopp Adler 467, 767, 768 machine**


<b>367-120284</b>	<b>0367-120023 Needle bar connection asm.</b> <b>0367-120024 Slide stone</b> <b>0367-120110 Oil disc</b>
	

<b>Spare Parts for Unison Feed</b>	<b>0367-232010KH</b>	<b>0767-120064KH</b>	<b>0767-120050KH</b>
			
	Needle Bar for double needle without needle holder	Needle bar complete for single needle <b>0767-120060+</b> <b>0291-000159 +</b> <b>9203-312411</b>	Needle bar complete for single needle







<b>KDB-867(26)</b>	<b>KDB-867(32)</b>	<b>0245-001660A</b>	<b>0245-001660AS</b>	<b>667-156530</b>	<b>667-150830</b>
					
Diameter: 26mm	Diameter: 32mm	Diameter: 26mm	Diameter: 26mm Bobbin with spiral lining	Diameter: 22mm	Diameter: 32mm


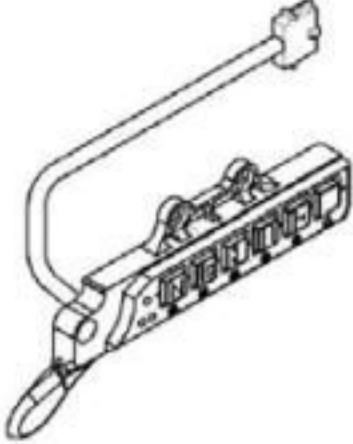
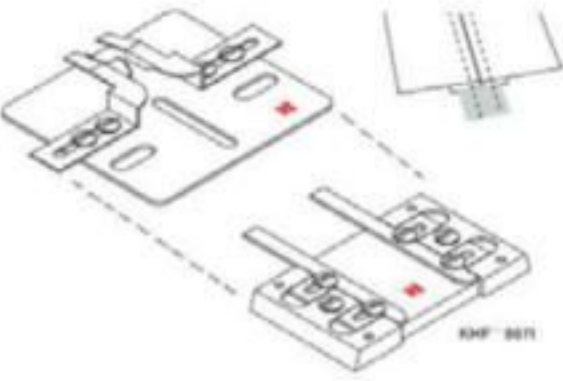
<b>0211-001033KH1</b>	<b>0211-001033KH6</b>	<b>0216-000134KH</b>	<b>367-140320</b>	<b>367-140090</b>	<b>367-140090F</b>
					
Slot type Screw for 2N needle holder	Hexagon Screw for 2N needle holder	Hexagon Screw for 767, 467 needle plate	Left Slide Plate	Right Slide Plate	Right Slide Plate for attachment installation

<b>0367-150270KH</b>	<b>KH767-NCS</b>	<b>0291-000159</b> Thread guide 9203-312411 Screw	<b>367-170044</b>	<b>0068 000280KH</b>	<b>0068 004910KH</b>
					
Bobbin supporting spring	Single Needle Needle Holder with Screw, used together with Double needle needle bar 0367-232010KH	(It is for 0767-120060 only, not 0767-120050. We can supply a special screw to fix 0291-000159 on our 767-120050)	Winder Shaft	767 Take-up spring	767 Take-up spring

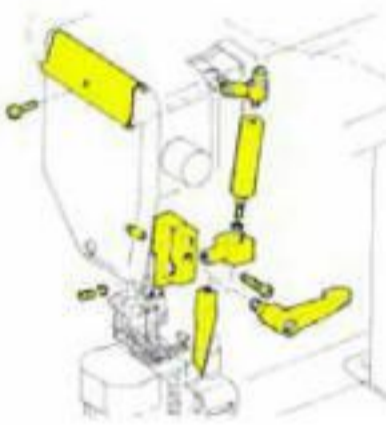

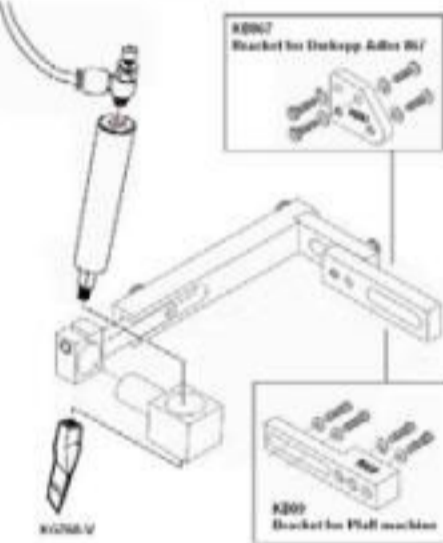
<b>099-004700KH-1.6</b>	<b>367-350060</b>	<b>367-150813</b> <b>367-150433</b>	<b>467-160200</b> <b>467-160220</b>		
					
Stronger Taper Tension Spring Diameter : 1.6mm	Clamping Spring	Driving Shafts and Gears Cpl.	Link, for feed lift eccentric		







**Spare parts for Durkopp Adler 867 machine**

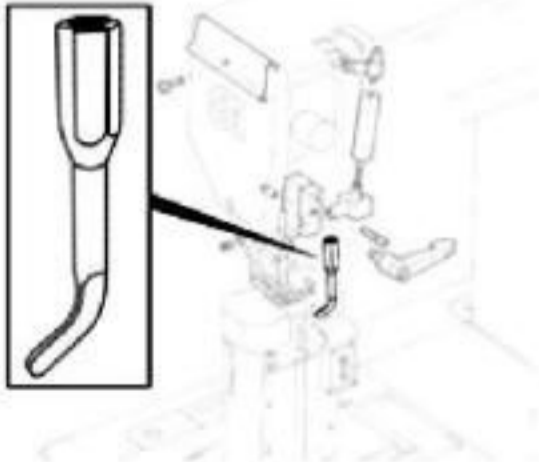
<b>667-355130</b>	<b>667-355140</b>	<b>0667-35510</b>	<b>667-150830</b>	<b>767-150590</b>	<b>867-140030</b>
					
			Diameter: 32mm	Bobbin	Slide plate

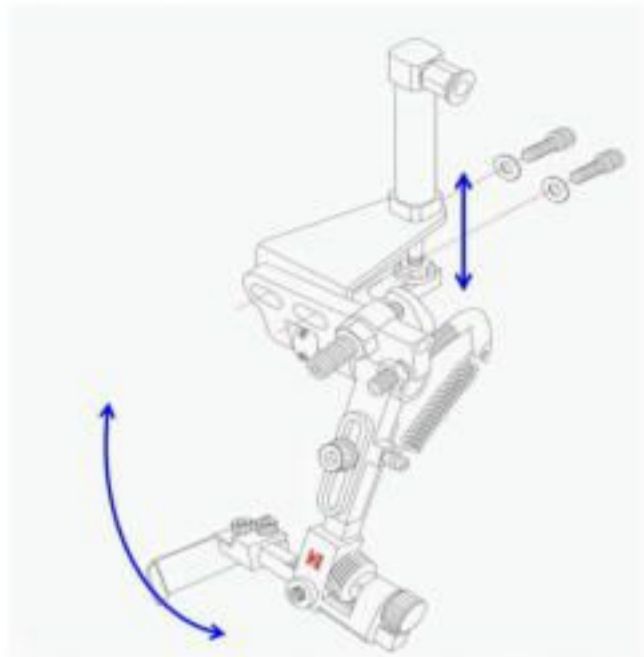
KH867-PBA	9880-867101	KH867-F	
 <p data-bbox="92 638 318 727">= 667 315053 + 667 315113 + 667-315070</p>	 <p data-bbox="589 673 730 700">Press Button</p>	 <p data-bbox="985 583 1545 719">Upper part is a downturn hemmer Bottom part is a adjustable tape guide on front slide plate of 867 machine. Tape adjustable between 15mm and 25mm wide</p>	

### Pneumatic guide for Durkopp Adler 768 / 868 machine

KG768VP	KG768-Y	KG868VP / KG1296VP	
 <p data-bbox="473 890 647 1453">Includes: KG768-V (N800 005614) KG768-Y (9700 100040 N800 005613 9231 110127) N800 005612 N800 005615 9202 002517 0999 210760 9205 102778 9217 171811 9710 920013 9731 005004 0767 360050 9202 042508 Black 8" pipe</p>	 <p data-bbox="676 1385 946 1453">9700-100040 piston with holder</p>	 <p data-bbox="1197 909 1420 1045">KB867 Bracket for Durkopp Adler 867</p> <p data-bbox="1226 1276 1420 1425">KB09 Bracket for Pfaff machines</p>	<p data-bbox="1497 1032 1854 1195">KG868VP equipped with KB867 bracket for Durkopp Adler 868 ( 0699-989250 &amp; 0667-595050 is not needed )</p> <p data-bbox="1497 1222 1854 1330">KG1296VP equipped with KB09 bracket for most Pfaff post bed machine</p>

KG768-V	KG768-M	KP768-I	KP767U	KP768MO + KP768MI
 <p data-bbox="125 1806 280 1833">N800 005614</p>		 <p data-bbox="666 1792 946 1833">6, 8, 10, 12, 14mm</p>	 <p data-bbox="994 1778 1236 1846">3, 4, 5, 6, 8, 10, 12, 14, 16mm</p>	 <p data-bbox="1362 1806 1777 1833">10mm needle space, for center piping</p>

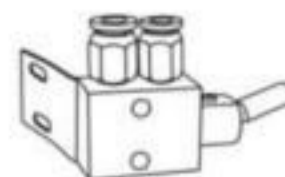
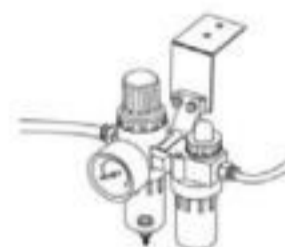
KG768-C				
				

**KG778**

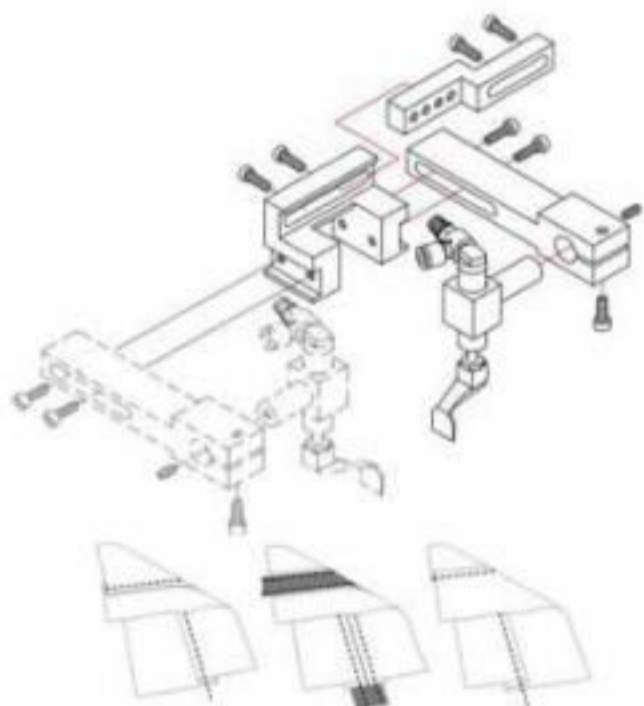
KG778 is a pneumatic lifted edge guide for all machine. It can be used together with our guide bracket for fixing on different machine.

**KHM7000-1H**

Heel Action Switch

**ON/OFF SWITCH****KG0010-F**

Filter Regulator

**KG777**

KG777 is a Pneumatic Guide for all machine. It can be used together with our guide bracket for fixing on different machine.

**Attachment for Durkopp Adler 205-370 machine****KH205NPB/FDB**

Feed Dog 11.4mm wide for Binding with 205-370 machine Used together with KP205B feet

**KP205B**

Binding for 205-370 machine Used together with KH205NPB/FDB

## Attachment for Durkopp Adler 768 / 868 machine

<p><b>KA-768</b> Belt Guide Completed Set for 20mm belt</p> <p><b>Belt Guide</b></p> <p><b>Belt Insert</b> N522 005022 (20mm) is green. Other optional size of belt insert: N522 005032 (16mm) N522 005042 (18mm) N522 005052 (20mm)</p>	<p>N522 005022 (14mm) N522 005032 (16mm) N522 005042 (18mm) N522 005052 (20mm)</p> <p><b>Belt Guide Completed</b></p>	<p><b>N522 005007</b></p> <p><b>Shackle</b></p>	<p><b>N522 005008</b></p> <p><b>Guiding plate</b></p>
--	---	---	---

## Attachment for Durkopp Adler 69 / 669 machine

<p><b>KHB-669</b></p> <p><b>Arm Cover for Binding on 669 machine (Rocking with the feed dog)</b></p>	<p><b>KHF669-CU</b></p> <ul style="list-style-type: none"> <li>- 3/4" Tape size</li> <li>- 7mm High</li> <li>- Raw edge binding</li> </ul> <p>It is a raw edge binder with tape cutting knife suitable for most cylinder-bed machine. Supporting sheet or bracket is not included.</p>
--	--

## Attachment for Durkopp Adler 767 machine

<p><b>KA-767</b> Tape Guide for flat bed machine</p>	<p><b>KA-767R</b> Tape Guide for Flat bed Machine</p> <p><b>N900 001527 Roller Holder + KA-767</b></p>
--	--

<p><b>KHF767-WS</b> = Swivel rail N800 V91164 + Welting Attachment N093 V91163 for <b>DURKOPP ADLER 367 &amp; 767</b>.....</p> <p><b>Field of application:</b> - Home upholstery - Car upholstery - Leather processing</p>	<p><b>KHF767-TS</b> Attachment Designed for <b>DURKOPP ADLER</b> Welting Attachment KHF767T + Swivel Rail N800 V91164</p> <p><b>Field of application:</b> - Car upholstery - Home upholstery - Leather processing</p>
--	---

**KHF767-RG** Attachment Designed for **DURKOPP ADLER**

- \* Swivel Rail N800 V91184
- \* Right Retainer Guide N800 V91180
- \* Left Retainer Guide N800 V91271

N800 V91184

N800 V91271

N800 V91180

**KHF767-TA** Attachment Designed for **DURKOPP ADLER**

- \* Swivel Rail N800 V91184
- \* Tape Guide N516 V91174

Tape guide is adjustable from 1.8cm to 4cm.

**KHF767-UL** Attachment Designed for **DURKOPP ADLER**

- \* Partition attachment separates the upper & lower layers,
- \* Enable to set the upper feeding and bottom feeding different from each other.

**KHF467**

Tape Guide on Front Slide Plate for 467 and 767 machine.

Adjustable between 15mm and 25mm wide

**KHF844**

Zipper Folder --  
Downturning leather at both size and Guiding the zipper tape,  
Width adjustable

**KHF767-F**

Upper part is a downturn hemmer  
Bottom part is an adjustable tape guide on front slide plate of 767 machine.  
Tape adjustable between 15mm and 25mm wide

**KHF767-WL** attachment for **Durkopp Adler**

This is a tailor-made item. Please inform us the cord diameter and tape size when you place order.

**KHB-767**

Arm Cover for Binding on 767 machine (Rocking with the feed dog)

## KHF767-P1

**K** attachment designed for  
**DURKOPP ADLER**

This is a tailor-made item for thicker cord  
wetting. Please tell us the diameter of cord,  
for example 8, 9, 10, 12mm.

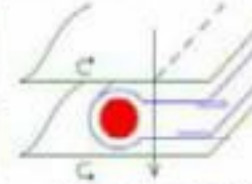
The cord is binded by a leather tape. It can be  
the first part of a thick wetting.



## KHF767-P2

**K** attachment designed for  
**DURKOPP ADLER**

This is a tailor-made item for thicker cord wetting.  
Please tell us the diameter of cord.

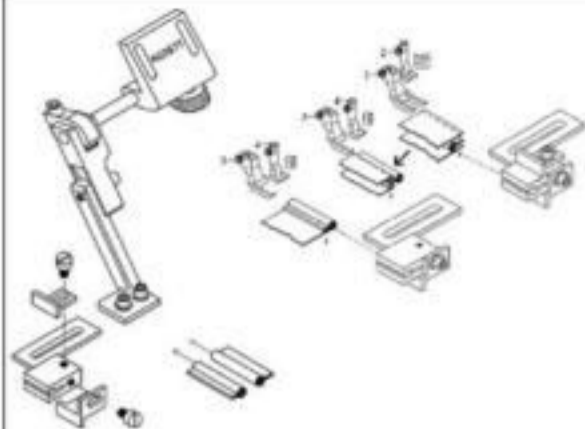


## Suspending guide for Durkopp Adler machine

<p><b>KG767A</b></p> <p>N800 075006</p>	<p><b>KG767B</b></p> <p>204-240023</p>	<p><b>KG767D</b></p> <p>N800 025009 Double Guide and Bracket</p>	<p><b>KG867</b></p> <p>Long Straight Guide and 14mm diameter roller guide</p>	<p><b>KG867S</b></p> <p>4mm 11mm 4mm and 11mm roller guide</p>	<p><b>KG867N</b></p> <p>N type allows both hand holding the material.</p>
<p><b>KG967</b></p> <p>Extra Long Guiding Bar is 20mm longer than KG867</p>	<p><b>KB767</b></p> <p>Bracket for 767, 467, 477</p>	<p><b>KB267</b></p> <p>Bracket for 267, 268, 269</p>	<p><b>KB867</b></p> <p>N800 080003 Bracket for 867</p>	<p><b>KB205</b></p> <p>Bracket for 204-370, 205-370</p>	<p><b>KB295</b></p> <p>same as N900-003364, suitable for 243, 244, 291, 294, 295, 296, 491 and 195</p>
<p><b>KG367B</b></p> <p>204-240023</p>	<p><b>KG367X</b></p> <p>Adjustable horizontally and vertically. Combined hinged roller and straight stop.</p>	<p><b>KG867Y</b></p> <p>2 steps adjustable guide Max. adjusting range between 2 steps = 16mm</p>	<p><b>KG767LR</b></p>	<p><b>KB367</b></p> <p>Bracket for 367 to use on KG767 guide</p>	



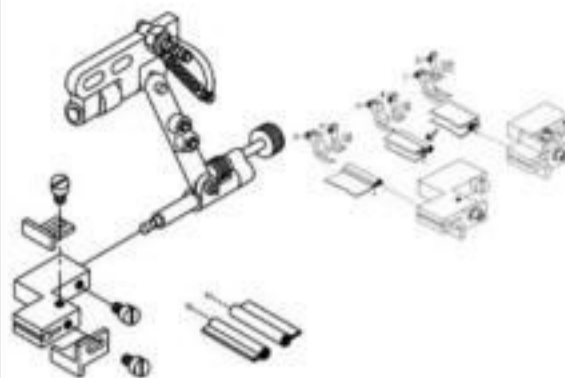
### KG367T



The guide on KG367T is free adjustable. The cord can be inserted into the guide at right or left side.

Applicable presser feet: KH367-PF (4, 5, 6, 8 or 9mm), KH367-PR (3.2, 4.8, 6.4mm), KH367-PL (3, 4, 5, 6, 8 or 9mm)

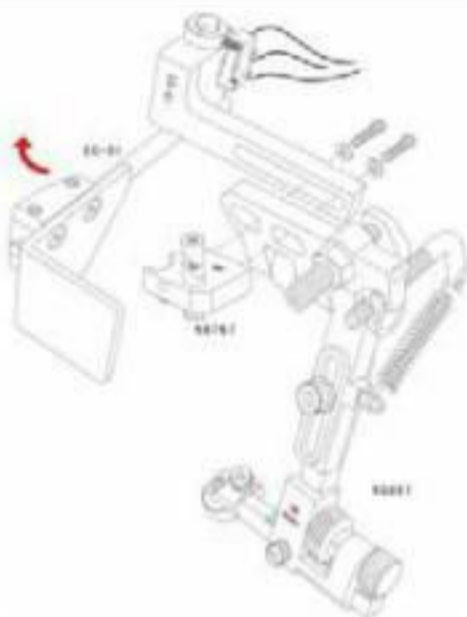
### KG767T



The guide on KG767T is free adjustable. The cord can be inserted into the guide at right or left side.

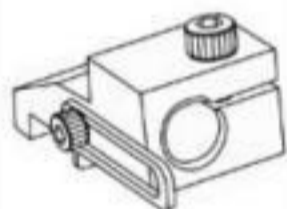
Applicable presser feet: KH367-PF (4, 5, 6, 8 or 9mm), KH367-PR (3.2, 4.8, 6.4mm), KH367-PL (3, 4, 5, 6, 8 or 9mm)

### EG-01 + KB767 + KG867



**KG867 Suspending Guide with EG-01 Eye Guard**

#### KG-NR



Regulating guide for Zipper

#### KG-AC



Center Guide  
Replacement and Improved version of 0667-245004

#### KG-B14



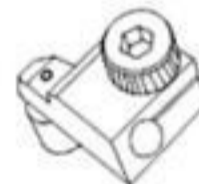
Roller diameter: 14mm

#### KG-S11



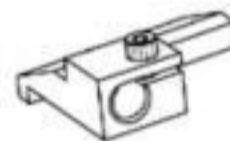
Roller diameter: 11mm

#### KG-S04



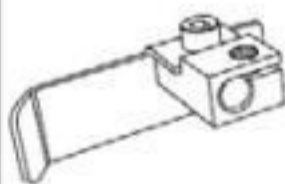
Roller diameter: 4mm

#### KG-BZ



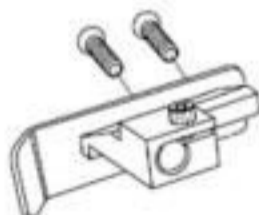
Zipper Guide

#### KG-AA



Long straight guide

#### KG-AB



Solid long straight guide

# KARDIA™ hook for Durkopp Adler 467 / 767 / 768 / 867 machine

	Coating	Thread Trimmer			
KDH-467TR	DLC	O	Oil free, for heavy duty		<b>Properties of Diamond-Like Coating (DLC) :</b> Amorphous and hydrogenated amorphous carbon films have high hardness, low friction, electrical insulation, chemical inertness, optical transparency, biological compatibility, ability to absorb photons selectively, smoothness, and resistance to wear. It is one of the best coating method for high speed machine. DLC coating has higher resistance to wear comparing with Chromium or Teflon coating. It allows Kardia rotary hook running without lubrication and have high durability.
KDH-467A	DLC	X	Oil free, for heavy duty		
KDH-768TR	DLC	O	Oil free, for heavy duty		
KDH-768A	DLC	X	Oil free, for heavy duty		
KDH-867(26) KDH-867(32)	DLC	O	Oil free, for heavy duty		

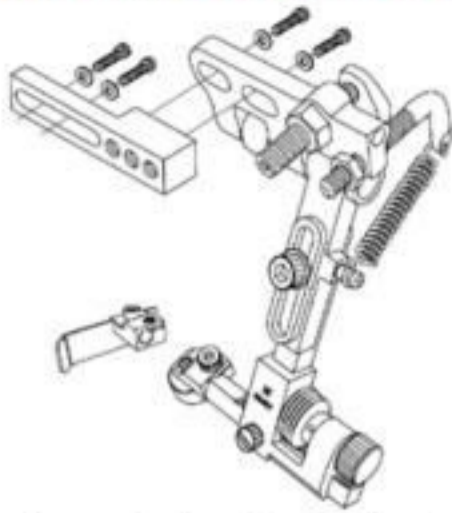
KDH-467TR	KDH-467A	KDH-768TR
<p>For Durkopp Adler 467, 767 single and double needle machine with thread trimmer</p>	<p>For Durkopp Adler 467, 767 single and double needle machine</p>	<p>For Durkopp Adler 768 single and double needle machine with thread trimmer</p>

KDH-768A	KDH-867(26) / KDH-867(32)
<p>For Durkopp Adler 768 single and double needle machine</p>	<p>For Durkopp Adler 867 single and double needle machine with thread trimmer (26mm / 32mm diameter bobbin)</p>

KDB-867(26)	KDB-867(32)	0245-001660A	0245-001660AS	667-156530	667-150830
<p>Diameter: 26mm</p>	<p>Diameter: 32mm</p>	<p>Diameter: 26mm</p>	<p>Diameter: 26mm Bobbin with spiral lining</p>	<p>Diameter: 22mm</p>	<p>Diameter: 32mm</p>

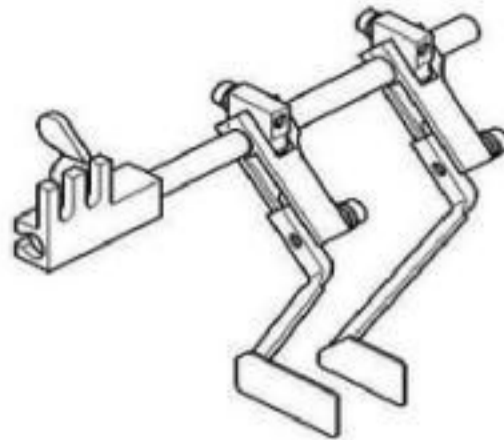
## Suspending Guide for Pfaff

**KG1245** for Pfaff 1245, 1246, 1525, 1526, 335, 591....

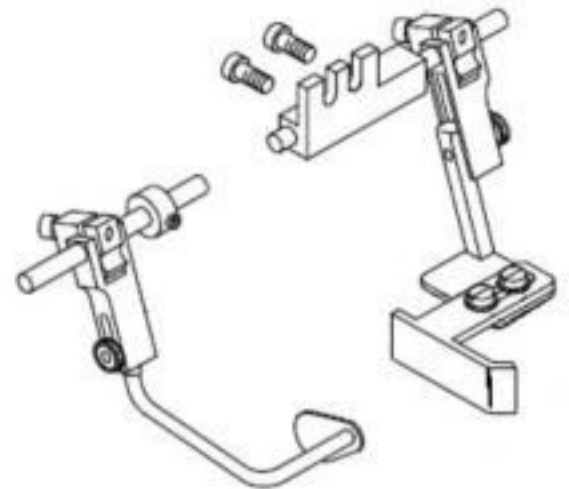


This guide can solve the problem that different model Pfaff machine match different guide. It can be used on most Pfaff machine. It includes a long straight guide and a 14mm diameter roller guide.

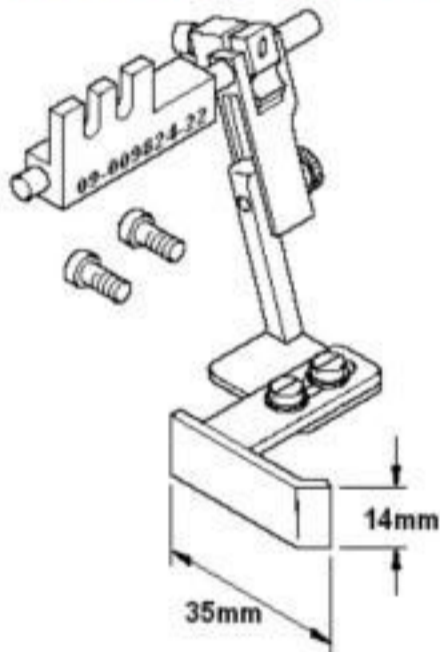
**KG1525D** for Pfaff 1525



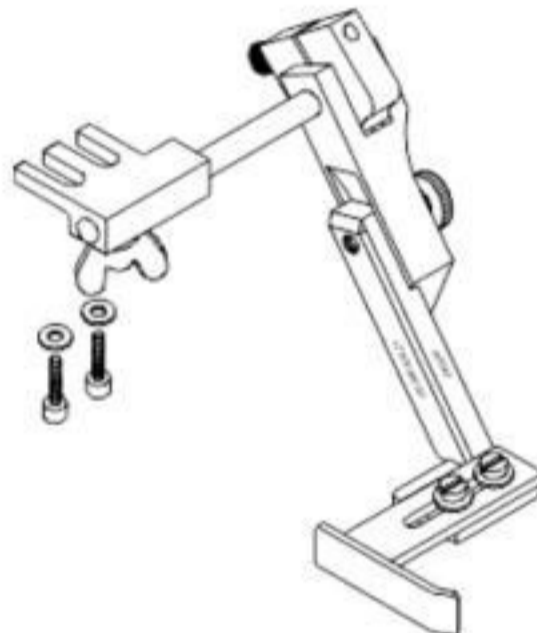
**09-009 842-60** for Pfaff 1525



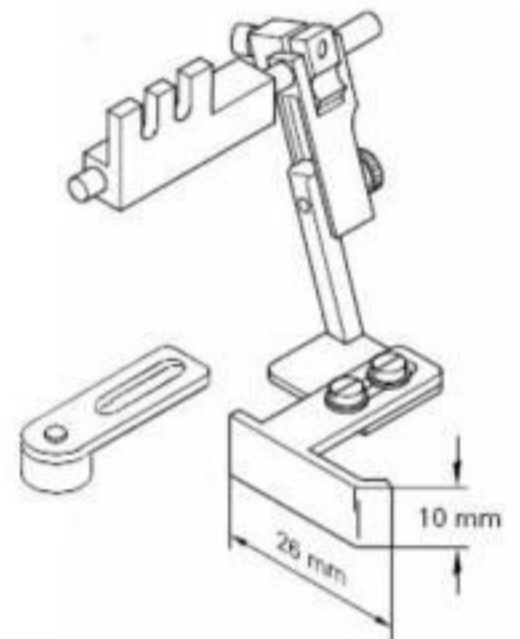
**09-009 824-22** for Pfaff 1525



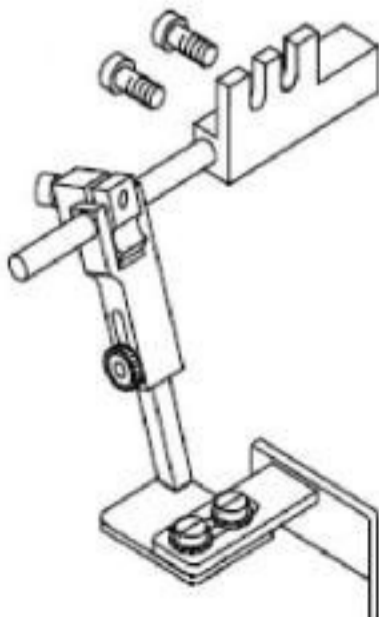
**09-009 824-21** for Pfaff 1245



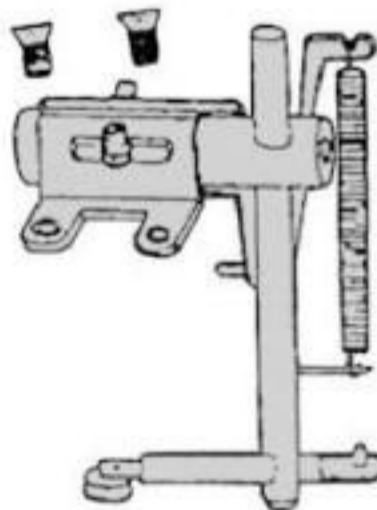
**09-009 851-98** for Pfaff 3834



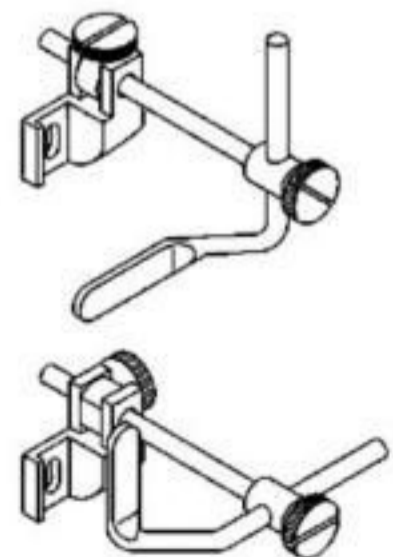
**09-009 844-35** for Pfaff 1525



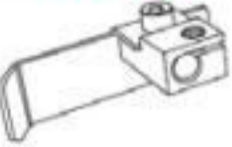


**GB-474** for Pfaff 474



**GB-463** for Pfaff 463




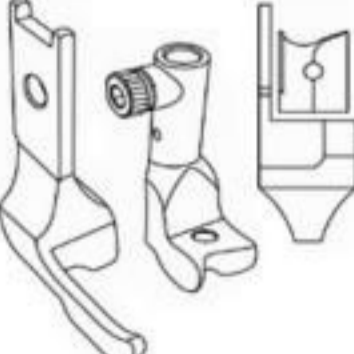
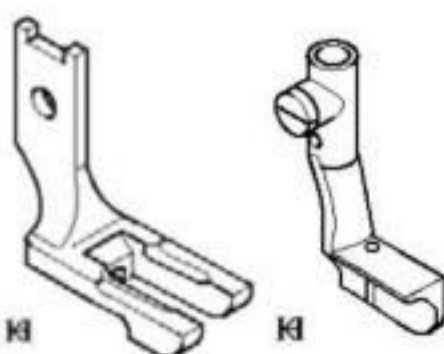
<b>KG-NR</b>  Regulating guide for Zipper	<b>KG-AC</b>  Center Guide	<b>KG-B14</b>  Roller diameter: 14mm	<b>KG-S11</b>  Roller diameter: 11mm	<b>KG-S04</b>  Roller diameter: 4mm	<b>KG-BZ</b>  Zipper Guide
---	---	---	---	--	---

<b>KG-AA</b>  Long straight guide	<b>KG-AB</b>  Solid long straight guide	<b>KB09</b> 			
---	--	--	--	--	--

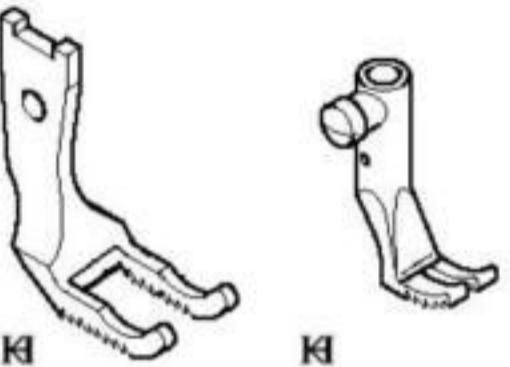
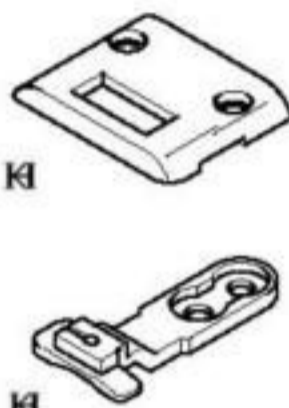
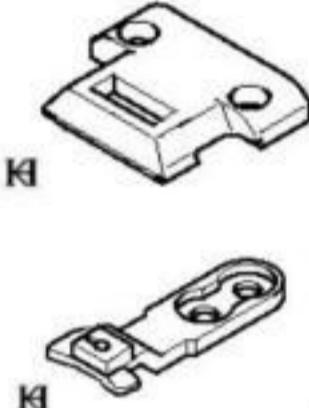
**Pfaff 335, 345, 1245**

<b>GL335</b> (left guiding)  3, 4, 5, 6mm	<b>GR335</b> (right guiding)  3, 4, 5, 6mm	<b>KH335TG</b> (left piping)  Left Piping groove is integrated one half each in the presser feet and feeding feet 3, 4, 5, 6, 8, 9mm
---	---	---

<b>KP335FA</b> (for right angle binder)  91-049 534-04    91-049 327-93	<b>KP335FB</b> (for right angle binder)  91-044 227-04    91-042 819-93	<b>KP335FC</b> (for right angle binder)  91-040 432-04    91-040 629-93
--	---	--

<b>91-046 498-05</b> needle plate <b>91-046 498-04</b> feed dog  91-046 498-05 (for right angle binder) 91-046 498-04	<b>KH335PL</b> (left piping)  91-044 102-04 + 91-044 101-93 x 1/8", 3/16", 1/4"	<b>KH335PF</b> (left piping)  91-049 544-04    91-049 047-93 x 3.0, 4.0, 5.0, 6.4, 8.0, 9.5 mm
--	--	--

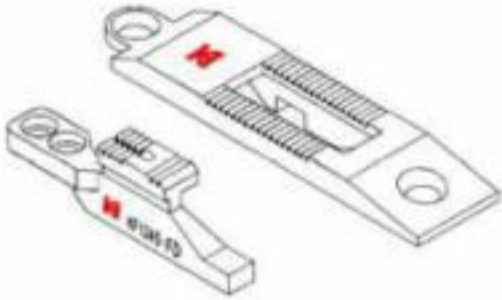
<p><b>KP335S</b> (for small operation)</p>	<p><b>335-S3</b> needle plate (for small operation) <b>335-S4</b> feed dog (for small operation)</p>	<p><b>KP335LB</b></p>
 <p>335-S1      335-S2</p>	 <p>335-S3      335-S4</p>	 <p>49558C-D      49085C</p>

<p><b>KP335W</b></p>	<p><b>91-158 206-04</b> needle plate <b>91-059 229-04</b> feed dog</p>	<p><b>91-150 555-05</b> needle plate <b>91-059 703-05</b> feed dog</p>
 <p>91-046 970-04      91-040 474-93</p>	 <p>91-158 206-04      91-059 229-04</p>	 <p>91-150 555-05      91-059 703-05</p>

<p><b>91-014 636-35</b></p>  <p>91-014 636-35</p>	<p><b>KHF91045</b> 91-045 607-90 Binding Bracket for Pfaff 1245</p>  <p>91-045 607-90</p>	<p><b>KHF91040</b> 91-040 894-21 Binding Bracket + 91-044 251-21 + 91-000 380-15 for Pfaff 335</p>  <p>91-040 894-21</p>
--	---	---


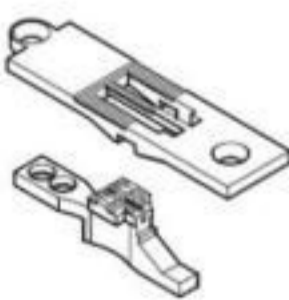


<p><b>KH1245-N071</b></p>  <p>Pressing feet width : 8.0mm Feeding feet width : 4.5mm</p>	<p><b>KH1245-R071</b></p>  <p>Pressing feet width : 6.5mm Feeding feet width : 4.5mm</p>	<p><b>KH1245-L071</b></p>  <p>Pressing feet width : 6.5mm Feeding feet width : 4.5mm</p>
---	--	---


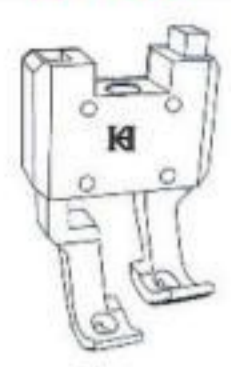
<p><b>KH345-NPW / FDW</b></p>  <p>Feed dog 10.5mm wide For Pfaff 345</p>	<p><b>KH345-NPN / FDN</b></p>  <p>Feed dog 8.5mm wide For Pfaff 345</p>	<p><b>49792 AB3.2 + 49345C</b></p> 
---	---	--

<p><b>KH1245-NP/ -FD</b></p> 		
---	--	--

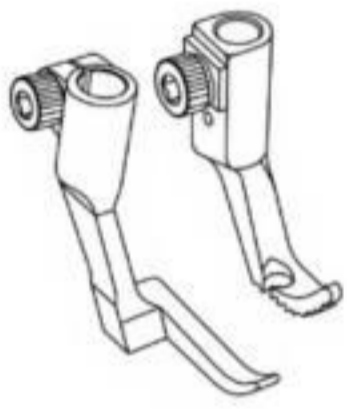

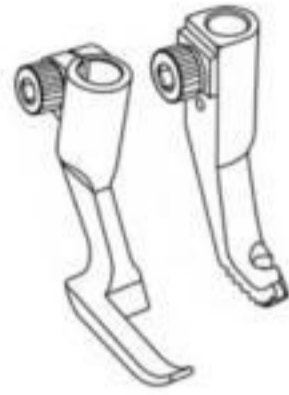
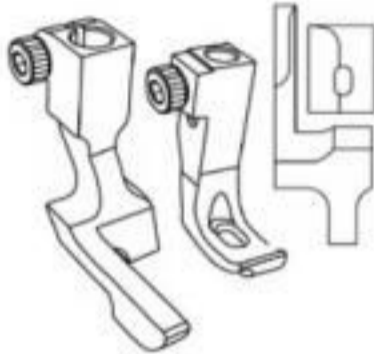
**Pfaff 1246, 1296**

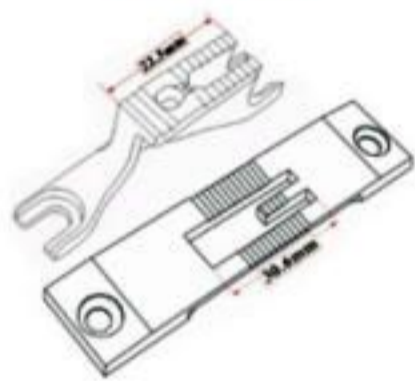
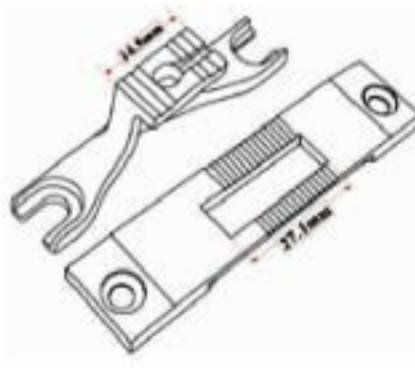
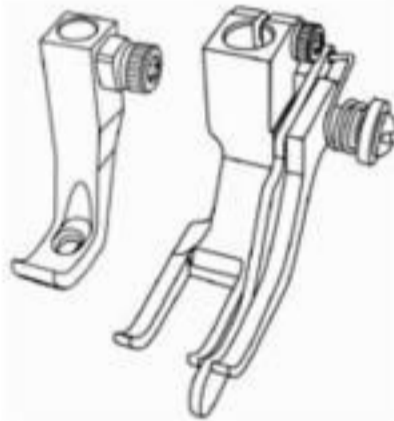
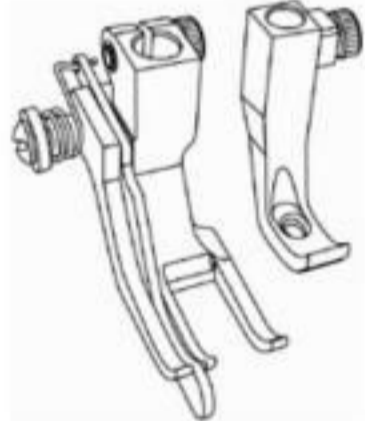
<p><b>KP1246</b></p>  <p>6, 8, 10, 12mm; 3/8"</p>	<p><b>KH1296-NPT, -FDT</b></p>  <p>6, 8, 10, 12mm; 3/8"</p>	<p><b>KH1296-NC</b></p>  <p>6, 8, 10, 12mm; 3/8"</p>
--	---	---

<p><b>KP1296UD</b></p>  <p>6, 8, 10, 12mm</p>	<p><b>KH1246-NPT/ -FDT</b></p>  <p>for flat-bed machine with thread trimming</p> <p>6, 8, 10, 12mm 1/4", 3/8", 1/2", 5/8"</p>	<p><b>KH1296-NP-JT</b></p>  <p>A combination of needle plate and adjustable tape guide</p> <p>6, 8, 10, 12mm</p>	<p><b>N900 001527</b></p>  <p>This a tape holder used together with KH1296-NP-JT fixed under table.</p>
--	--	---	--

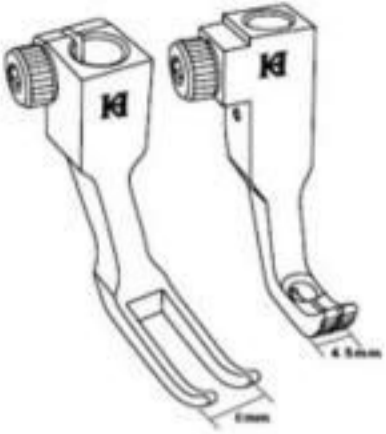
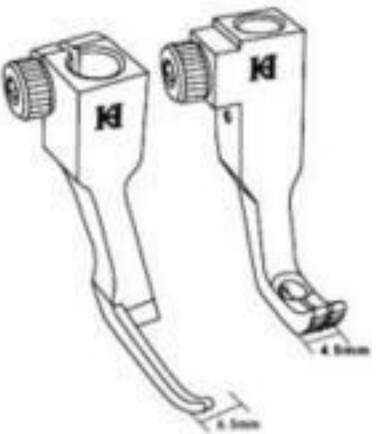
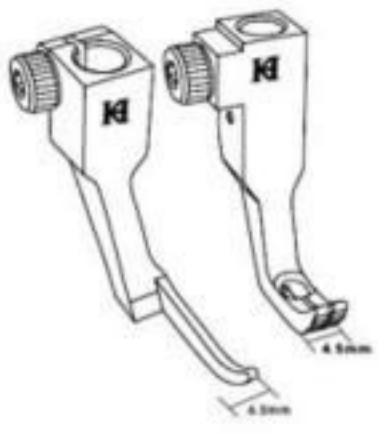
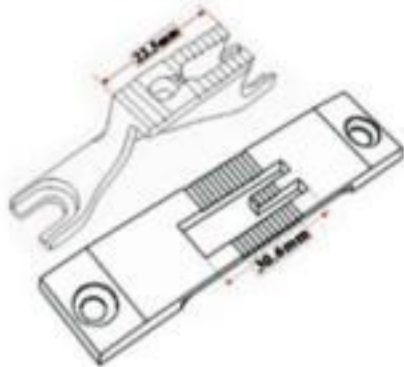
<p><b>KP1296AO</b></p>  <p>6, 8, 10, 12mm With pneumatic center guide</p>	<p><b>KP1296-I</b></p>  <p>6, 8, 10, 12mm Inner compensating foot</p>		
--	--	--	--

**Pfaff 1525, 1445**

<p><b>KP1525LN</b></p>  <p>Stitching on edges on the left of the needle</p>	<p><b>KP1525W</b></p> 	<p><b>KP152RN</b></p>  <p>Stitching on edges on the right of the needle</p>	<p><b>KP1525-TG</b></p>  <p>3, 4, 5, 6, 8, 9mm Welt groove is integrated one half each in the presser feet and in the feeding feet at the left hand side of needle.</p>
---	--	---	---

<p><b>KH1525A</b></p>  <p><b>KH1525A-NP</b> needle plate <b>KH1525A-FD</b> feed dog</p>	<p><b>KH1525B</b></p>  <p><b>KH1525B-NP</b> needle plate <b>KH1525B-FD</b> feed dog</p>	<p><b>GR1525- J</b></p>  <p>3, 4, 5, 6, 8, 9mm Guiding</p>	<p><b>GL1525- J</b></p>  <p>3, 4, 5, 6, 8, 9mm Guiding</p>
---	--	--	---

<p><b>GR1525- H</b></p>  <p>6, 8, 9mm Guiding</p>	<p><b>GL1525- H</b></p>  <p>6, 8, 9mm Guiding</p>	<p><b>KH1525- PL</b></p>  <p>3, 4, 5, 6, 8, 9mm Cording groove on the left of the needle</p>	<p><b>KH1525- PR</b></p>  <p>3, 4, 5, 6, 8, 9mm Cording groove on the left of the needle</p>
---	--	--	---


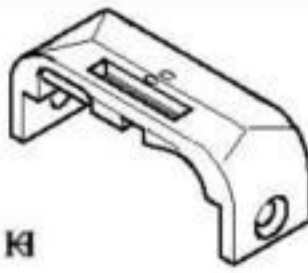

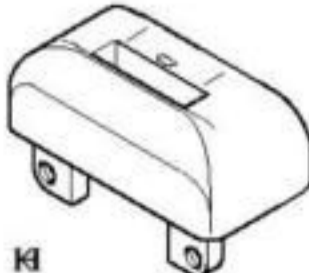
<p><b>KP1525-N071</b></p>	<p><b>KP1525-R071</b></p>	<p><b>KP1525-L071</b></p>	<p><b>91-150602-05</b> <b>91-059935-04/002</b></p>
 <p>Pressing feet width : 8.0mm Feeding feet width : 4.5mm</p>	 <p>Pressing feet width : 6.5mm Feeding feet width : 4.5mm</p>	 <p>Pressing feet width : 6.5mm Feeding feet width : 4.5mm</p>	 <p><b>91-150602-05 Needle plate</b> <b>91-059935-04/002 Feed dog</b> <b>8mm stitch length</b></p>

## Pfaff 1526



<p><b>KP1526</b></p>  <p>6, 8, 10, 12mm</p>	<p><b>KP1526UD</b></p>  <p>6, 8, 10, 12mm</p>	<p><b>KH1526NP/FD</b></p>  <p>6, 8, 10, 12mm</p>
---	--	--

<p><b>KP1526-I</b></p>  <p>6, 8, 10, 12mm</p>	<p><b>KH1526-NC</b></p>  <p>6, 8, 10, 12mm</p>	
--	--	--

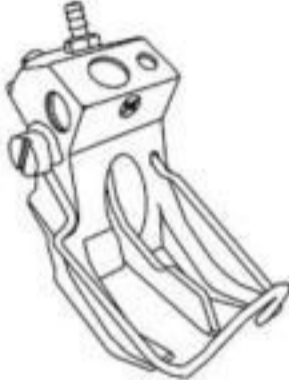
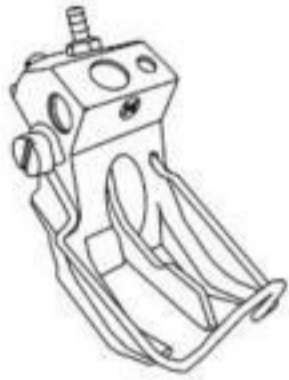

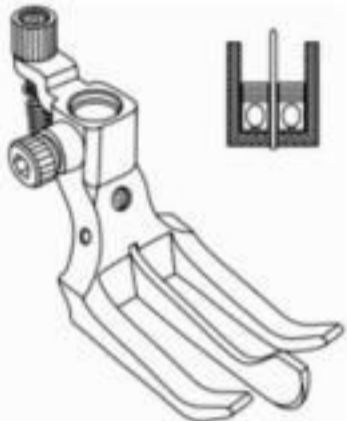
## Pfaff 474, 491, 493, 293, 1244

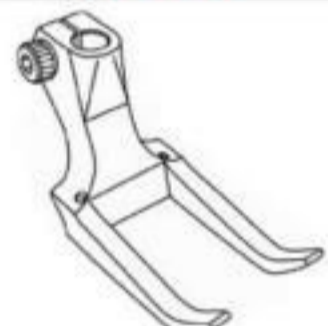
<p><b>Roller presser</b></p>  <p>Diameter: 25mm, 29mm, 35mm</p>	<p><b>474NP</b></p>  <p>1.6mm, 2.0mm, 2.4mm</p>	<p><b>91-119 722-91 + 91-119 544-05</b></p> 	<p><b>491NP</b></p> 
--	--	---	---



<b>91-051 255-93/002</b>	<b>91-051 159-93/001</b>		
			
For Pfaff 293	For Pfaff 1244		


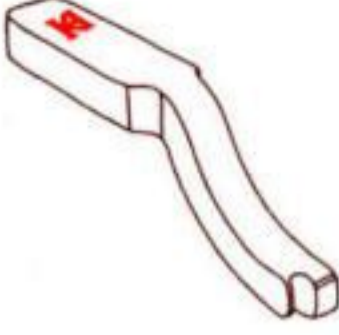
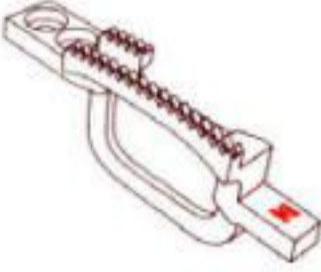
### Pfaff 2545, 2546 Power Line

<b>KP768-AO</b>	<b>KP868-AO</b>	<b>KP768-I</b>	<b>KP868-SO</b>																															
																																		
Pneumatic center guiding for Stitch Length 9mm	Pneumatic center guiding for Stitch Length 12mm		Spring type center guiding for Stitch Length 12mm, used together with KP																															
<table border="0"> <tr><td>6mm</td><td>91-149370-91</td></tr> <tr><td>8mm</td><td>91-149372-91</td></tr> <tr><td>10mm</td><td>91-149374-91</td></tr> <tr><td>12mm</td><td>91-149376-91</td></tr> <tr><td>16mm</td><td>91-149380-91</td></tr> </table>	6mm	91-149370-91	8mm	91-149372-91	10mm	91-149374-91	12mm	91-149376-91	16mm	91-149380-91	<table border="0"> <tr><td>6mm</td><td>-----</td></tr> <tr><td>8mm</td><td>91-149381-91</td></tr> <tr><td>10mm</td><td>91-149382-91</td></tr> <tr><td>12mm</td><td>91-149383-91</td></tr> <tr><td>16mm</td><td>91-149384-91</td></tr> </table>	6mm	-----	8mm	91-149381-91	10mm	91-149382-91	12mm	91-149383-91	16mm	91-149384-91	<table border="0"> <tr><td>6mm</td><td>91-154978-91/001</td></tr> <tr><td>8mm</td><td>91-154978-93/004</td></tr> <tr><td>10mm</td><td>91-154978-93/006</td></tr> <tr><td>12mm</td><td>91-154978-93/008</td></tr> <tr><td>16mm</td><td>91-154978-93/013</td></tr> </table>	6mm	91-154978-91/001	8mm	91-154978-93/004	10mm	91-154978-93/006	12mm	91-154978-93/008	16mm	91-154978-93/013	<table border="0"> <tr><td>6, 8, 10, 12, 14, 16mm</td></tr> </table>	6, 8, 10, 12, 14, 16mm
6mm	91-149370-91																																	
8mm	91-149372-91																																	
10mm	91-149374-91																																	
12mm	91-149376-91																																	
16mm	91-149380-91																																	
6mm	-----																																	
8mm	91-149381-91																																	
10mm	91-149382-91																																	
12mm	91-149383-91																																	
16mm	91-149384-91																																	
6mm	91-154978-91/001																																	
8mm	91-154978-93/004																																	
10mm	91-154978-93/006																																	
12mm	91-154978-93/008																																	
16mm	91-154978-93/013																																	
6, 8, 10, 12, 14, 16mm																																		

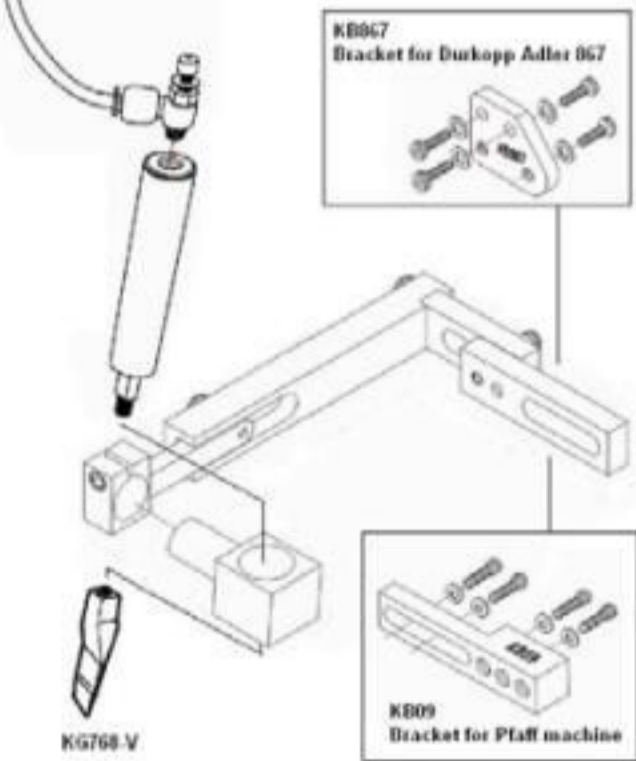


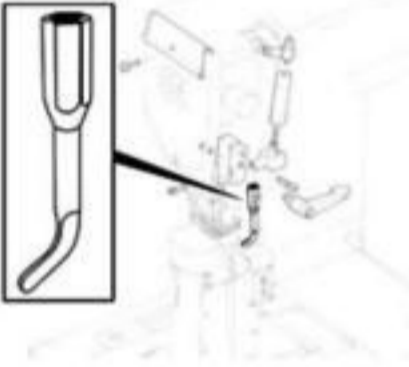
<b>KP868-Si</b>	<b>KP867U</b>	<b>KP767UD</b>																					
																							
Inner feet used together with KP868-SO	Outside feet used together with inner feet of KP767UD or KP768-i compensating feet for 12mm stitch length	for 9mm stitch length																					
6, 8, 10, 12, 14, 16mm	6, 8, 10, 12, 14, 16mm		<table border="1"> <tr><td>4mm</td><td>91-149279-93/001</td></tr> <tr><td></td><td>91-049385-93/025</td></tr> <tr><td>6mm</td><td>91-149279-93/003</td></tr> <tr><td></td><td>91-049385-93/029</td></tr> <tr><td>8mm</td><td>91-149279-93/004</td></tr> <tr><td></td><td>91-049385-93/035</td></tr> <tr><td>10mm</td><td>91-149279-93/005</td></tr> <tr><td></td><td>91-049385-93/039</td></tr> <tr><td>12mm</td><td>91-149279-93/006</td></tr> <tr><td></td><td>91-049385-93/002</td></tr> </table>	4mm	91-149279-93/001		91-049385-93/025	6mm	91-149279-93/003		91-049385-93/029	8mm	91-149279-93/004		91-049385-93/035	10mm	91-149279-93/005		91-049385-93/039	12mm	91-149279-93/006		91-049385-93/002
4mm	91-149279-93/001																						
	91-049385-93/025																						
6mm	91-149279-93/003																						
	91-049385-93/029																						
8mm	91-149279-93/004																						
	91-049385-93/035																						
10mm	91-149279-93/005																						
	91-049385-93/039																						
12mm	91-149279-93/006																						
	91-049385-93/002																						

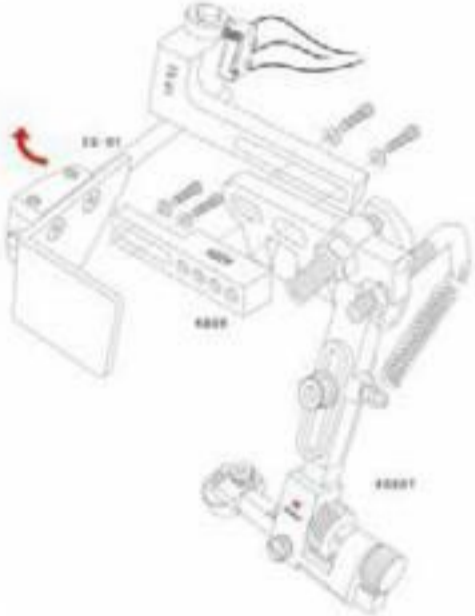
### Pfaff 244

<b>KP244N</b>	<b>KH244N-NP</b>	<b>KH244N-FD</b>	
			
2.4, 3.2mm	2.4, 3.2mm	2.4, 3.2mm	



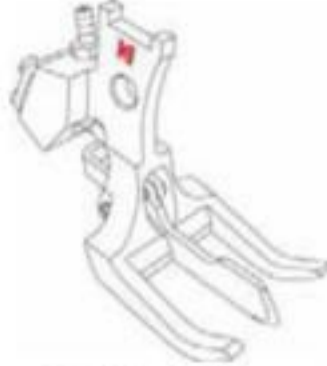
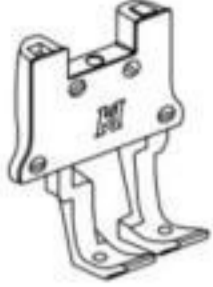
KH244-NC	KH244-NG	KH244-NP	KH244-FD
 <p data-bbox="162 573 394 608">2.4, 3.2, 4.0mm</p>	 <p data-bbox="608 573 840 608">2.4, 3.2, 4.0mm</p>	 <p data-bbox="1064 573 1296 608">2.4, 3.2, 4.0mm</p>	 <p data-bbox="1522 573 1754 608">2.4, 3.2, 4.0mm</p>

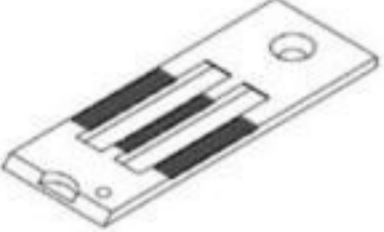
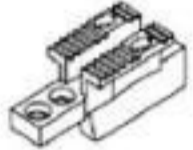
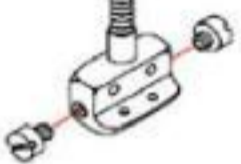
### Pneumatic Guide for Pfaff

<b>KG1296-VP</b> (equipped with KB09 bracket for most Pfaff post bed machine)	<b>KG768-V</b>	<b>KG768-M</b>
 <p data-bbox="498 852 807 1042">KB067 Bracket for Durkopp Adler 067</p> <p data-bbox="537 1368 813 1597">KB09 Bracket for Pfaff machine</p> <p data-bbox="233 1569 311 1597">KG768-V</p>		
<p data-bbox="1097 1178 1263 1214"><b>KG768-C</b></p> 		

<b>EG-01 + KG1245</b>	
 <p data-bbox="220 2411 799 2447">KG1245 Suspending Guide with EG-01 Eye Guard</p>	

## Spare parts for Juki LU-1560N

KP1560-SG	KP1560-CG	KP1560-AO	KP1560-I
 <p data-bbox="125 570 454 638">6, 8, 10, 12, 14mm With spring type center guide</p>	 <p data-bbox="579 570 879 638">6, 8, 10, 12, 14mm</p>	 <p data-bbox="1014 570 1342 638">6, 8, 10, 12, 14mm With pneumatic center guide</p>	 <p data-bbox="1497 570 1787 638">6, 8, 10, 12, 14mm Inner compensating foot</p>

KH1560-NPD	KH1560-FDD	KH1560-NCD
 <p data-bbox="212 1032 502 1072">6, 8, 10, 12, 14mm</p>	 <p data-bbox="811 1032 1101 1072">6, 8, 10, 12, 14mm</p>	 <p data-bbox="1420 1032 1709 1072">6, 8, 10, 12, 14mm</p>

## Spare parts for Juki LU-1510NA-7

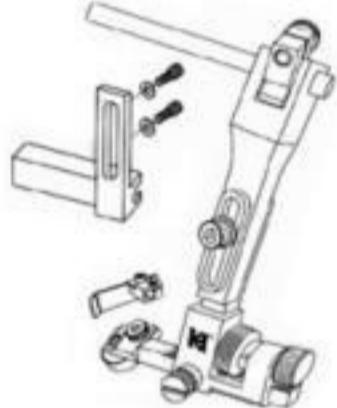
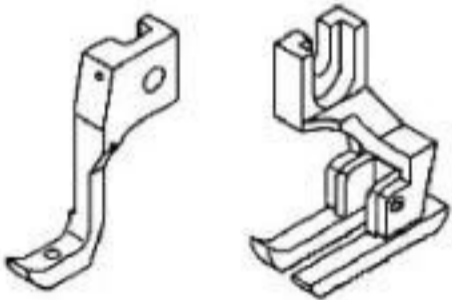
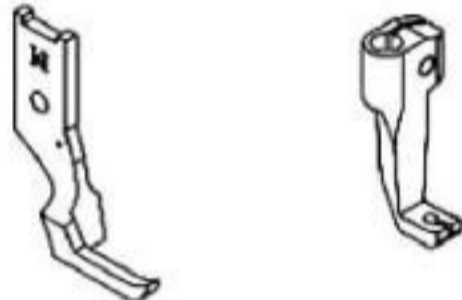
KP1510W	KP1510RN	KP1510LN
		

KP1510F	GR1510	GL1510
 <p data-bbox="289 2023 425 2050">For Binding</p>	 <p data-bbox="859 2009 1052 2050">3, 4, 5, 6mm</p>	 <p data-bbox="1458 2009 1651 2050">3, 4, 5, 6mm</p>

GR1510H	GL1510H
 <p data-bbox="260 2539 454 2580">5, 6, 8, 9mm</p>	 <p data-bbox="859 2539 1052 2580">5, 6, 8, 9mm</p>

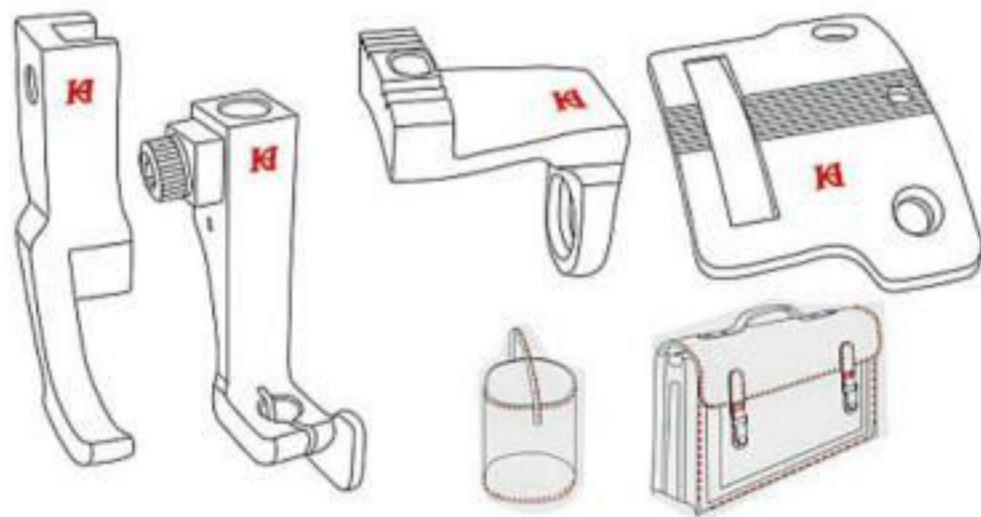
KH1510PR	KH1510PL	KH1510PLT
 <p data-bbox="260 510 454 548"><b>3, 4, 5, 6mm</b></p> <p data-bbox="125 551 589 583">Cording groove on the right of the needle</p>	 <p data-bbox="859 510 1052 548"><b>3, 4, 5, 6mm</b></p> <p data-bbox="734 551 1178 583">Cording groove on the left of the needle</p>	 <p data-bbox="1468 510 1661 548"><b>3, 4, 5, 6mm</b></p> <p data-bbox="1284 551 1835 646">Piping Groove on the left-hand-side of needle, and integrated one half each in the presser feet and in the feeding feet</p>

**Spare parts for Juki DU-141 / DSC-245**

KG141	B1524-141-H00 B1524-141-HA0	B1524-245-000 B1470-245-000
	 <p data-bbox="840 1208 1072 1249">For Juki DU-141</p>	 <p data-bbox="1429 1208 1700 1249">For Juki DSC-245</p>

MAQ093080A0 MAN10452000		
 <p data-bbox="299 1765 415 1806">Binding</p>		

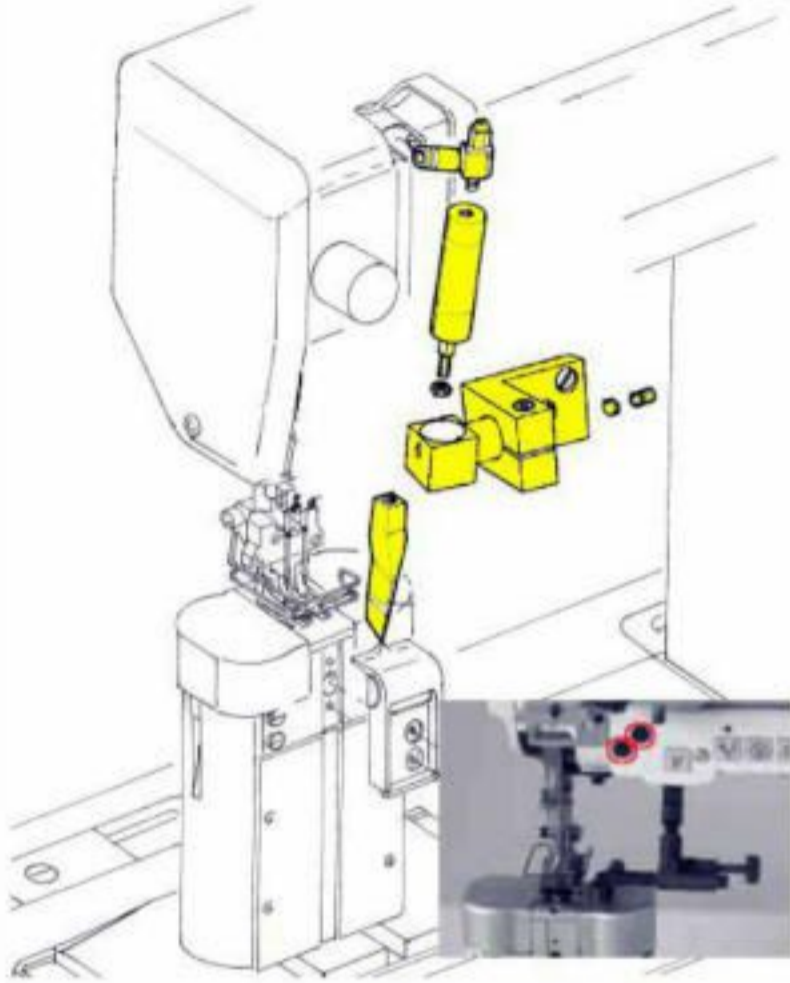
**Spare parts for Juki TSC-441**

KP441RG Presser feet	KP441RG-FD Feed dog	KP441RG-NP Needle plate
		

# Pneumatic guide for Juki PLC-1760

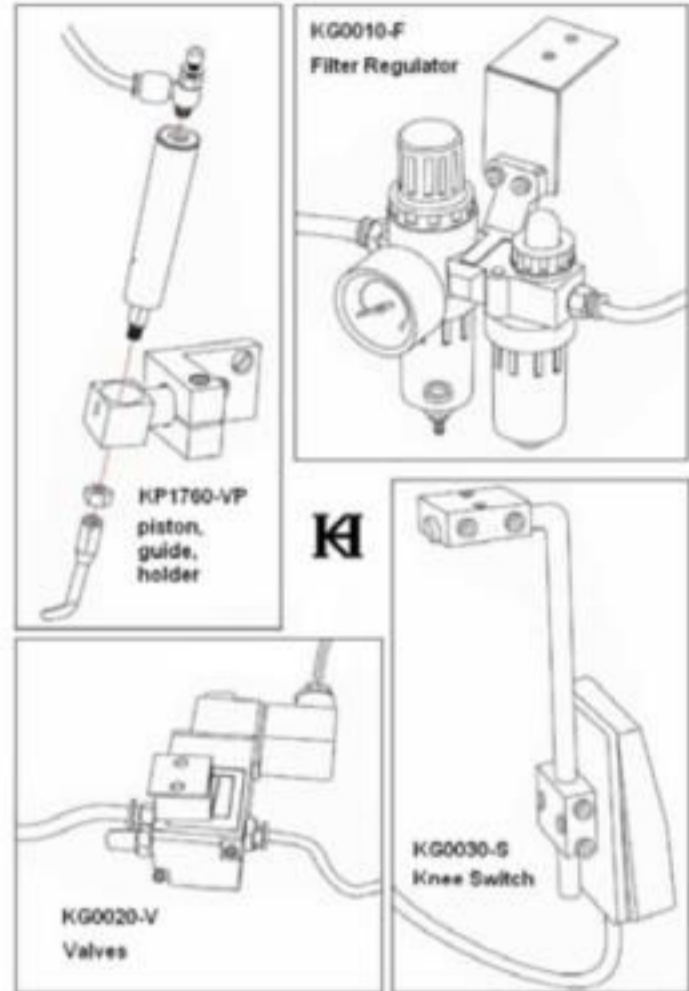
## KG1760VP

Pneumatic Guide Set for Juki PLC-1760



## KG1760-PG

Pneumatic Guide Set with filter regulator and valves for Juki PLC-1760



---

SPARE PARTS & ATTACHMENT OF  
HEAVY DUTY

МОСКВА



+79161127235  
info@mintex.ru