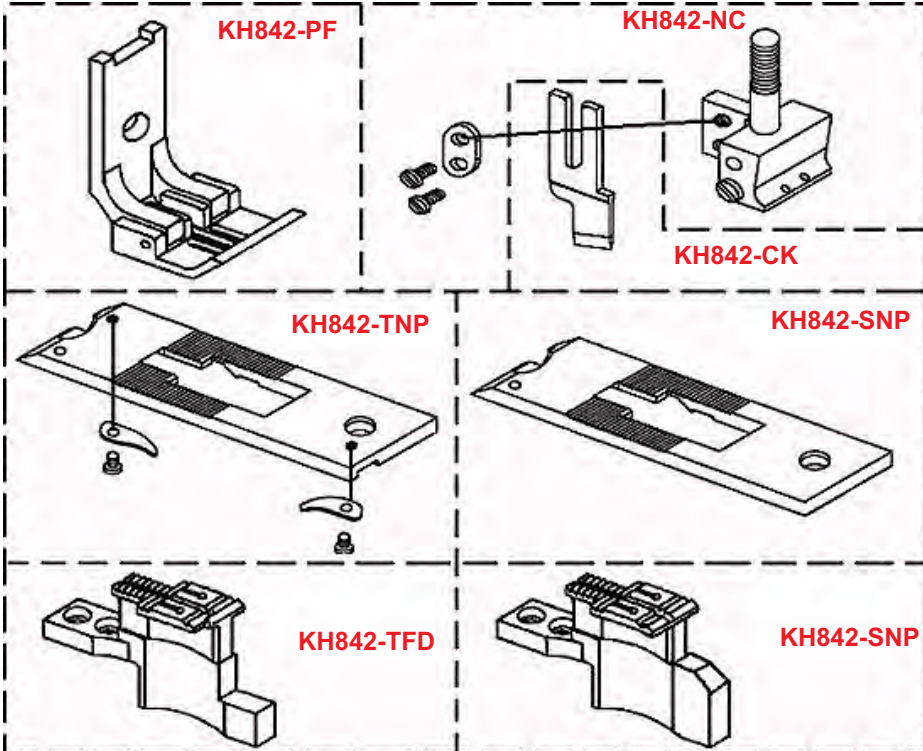


KH842 雙針切刀針位 (適合門襟製作) Double Needle Gauge Set with Center Knife (for Placket)

剪線機種 Thread Trimmer: Juki LH-3128-7, Brother B842-403, B842-405

標準機種 Standard: Juki LH-3128, Brother B842-3, B842-5, B841-3, B841-5

特種(長針板) Special (Longer Needle Plate): Juki LH-1152, LH-1152-7



KH842S	標準切刀針位 Standard Gauge Set with Center Knife	3/16", 1/4", 5/32"
KH842T	剪線機用切刀針位 Thread Trimmer Gauge Set with Center Knife	3/16", 1/4", 5/32"
KH842-CK	切刀 Center Knife	---
KH842-PF	壓腳 Presser Foot	3/16", 1/4", 5/32"
KH842-NC	針頭 Needle Clamp	3/16", 1/4", 5/32"
KH842-SNP	標準針板 Standard Needle Plate	3/16", 1/4", 5/32"
KH842-SFD	標準送布齒 Standard Feed Dog	3/16", 1/4", 5/32"
KH842-TNP	剪線用針板 Needle Plate for Thread Trimmer	3/16", 1/4", 5/32"
KH842-TFD	剪線用布齒 Feed Dog for Thread Trimmer	3/16", 1/4", 5/32"

