

**K**<sup>®</sup>

[kwokhing.com](http://kwokhing.com)

Spare  
Parts for  
**Interlock  
Stitch**

**繃 縫** Machine

零 件

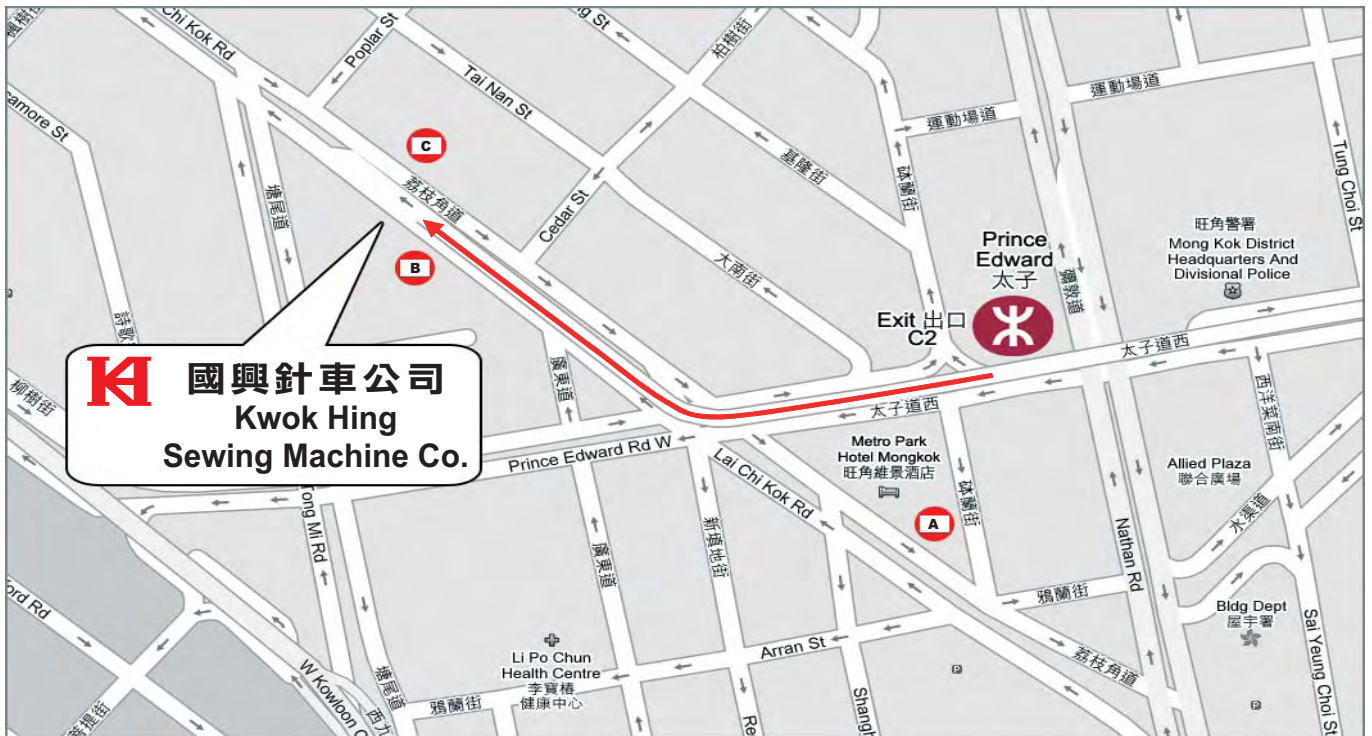


# 內容 Contents

		頁數 Page
針板	Needle Plates	1-8
送布牙	Feed Dogs	9-12
壓腳	Presser Feet	13-18
針頭	Needle Clamps	19
助縫器	Attachments	20-22
其他產品	Others	22-23
索引	Index	24-27

## **K** 國興針車公司 Kwok Hing Sewing Machine Company

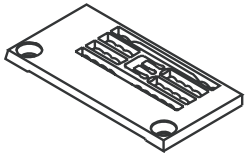
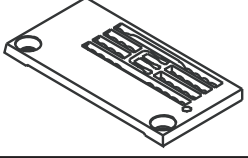
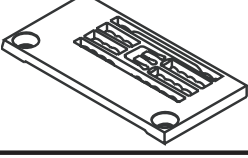
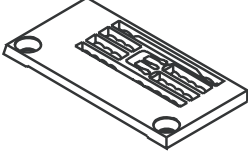
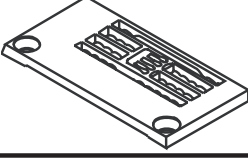
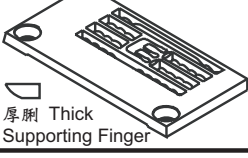
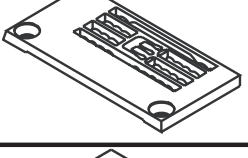
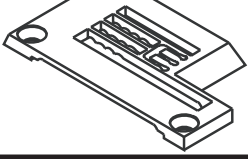
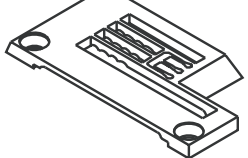
地址: 香港九龍荔枝角道103-107號  
Address: G/F, 103-107 Lai Chi Kok Road, Kowloon, Hong Kong.  
電話 Tel: (852) 2394 8163  
傳真 Fax: (852) 2789 2681, (852) 2787 2033  
網址 Website:  <http://www.kwokhing.com>  
 <http://www.olympian.cc>  
 <http://www.kardia-sew.com>  
電郵 E-mail: [spareparts@kwokhing.com](mailto:spareparts@kwokhing.com)



-  地鐵 MTR: 太子站C2出口 Exit C2, Prince Edward Station
-  巴士 Bus: 來自機場 From Air-port: A21
-  巴士 Bus: 來自港島 From Hong Kong Island: 117, 118, 118P  
來自尖沙咀/東九龍 From Tsim Sha Tsui / East Kln.: 2, 2A, 212
-  巴士 Bus: 來自西九龍/新界 From West Kln. / New Territories:  
2, 2A, 6F, 32, 36B, 43C, 44, 44P, 46, 52X, 87A, 87B, 117, 212, 265B, 296C

## 針板 Needle Plates

針板 Needle Plates

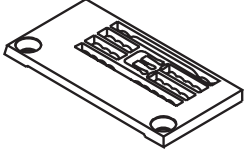
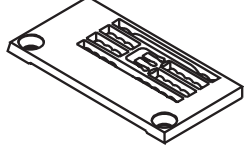
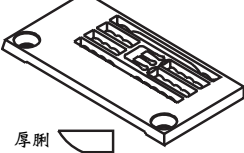
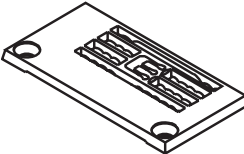
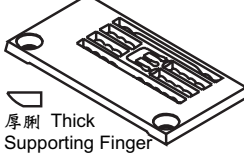
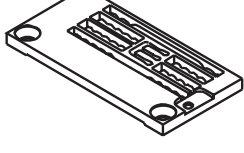

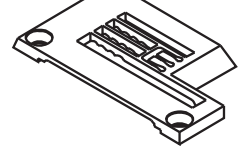
飛馬 Pegasus											
編號 No.	車種 Machine Models	圖片 Drawings	針數 No. of Needle	針距 Needle Space	針板 Needle Plate	送布牙 Feed Dog		針頭 Needle Clamp			
1	飛馬 Pegasus (舊款old type) W61-01		2N	3.2mm	<b>206270</b>	206278	206282	201785A			
				4.0mm	<b>206271</b>	206278	206282	201786A			
				4.8mm	<b>206272</b>	206278	206282	201850			
			3N	5.6mm	<b>206276</b>	206279	206283	201855			
				6.4mm	<b>206277</b>	206279	206283	201856			
2	飛馬 Pegasus (舊款old type) W62-01		2N	3.2mm	<b>206977</b>	206818	206820	207053			
				4.0mm	<b>206978</b>	206818	206820	207054			
				4.8mm	<b>206979</b>	206818	206820	207055			
			3N	5.6mm	<b>206276</b>	206818	206820	207059			
				6.4mm	<b>206277</b>	206818	206820	207060			
3	飛馬 Pegasus (舊款old type) W561-01AB.BB		2N	3.2mm	<b>257000B32</b>	257200-16F	257250-16F	257500			
				4.0mm	<b>257000B40</b>	257200-16F	257250-16F	257500			
				4.8mm	<b>257000B48</b>	257200-16F	257250-16F	257500			
			3N	5.6mm	<b>257001B56</b>	257200-16F	257250-16F	257501			
				6.4mm	<b>257001B64</b>	257200-16F	257250-16F	257501			
4	飛馬 Pegasus W561-01CB W562-01CB W664-01CB					<b>W561-01CB</b>	<b>W664-01CB</b>				
						2N	3.2mm	<b>257015B32</b>	257206-16F 257258-16F	257242-16F 257289-16F	257517
							4.0mm	<b>257015B40</b>	257206-16F 257258-16F	257242-16F 257289-16F	257517
							4.8mm	<b>257015B48</b>	257206-16F 257258-16F	257242-16F 257289-16F	257517
						3N	4.8mm	<b>257016B48</b>	257206-16F 257258-16F	257242-16F 257289-16F	257518
							5.6mm	<b>257018B56</b>	257207-16F 257259-16F	257243-16F 257290-16F	257518
						6.4mm	<b>257018B64</b>	257207-16F 257259-16F	257243-16F 257290-16F	257518	
5	飛馬 Pegasus W561-01DB W562-01DB W664-01DB		4N	6.0mm	<b>257020-60</b>	<b>W561-01DB</b>	<b>W664-01DB</b>				
						<b>W562-01DB</b>		257203A-16F 257256-16F	257243-16F 257290-16F	257513-60	
6	飛馬 Pegasus W561-01CC W562-01CC W664-01CC	 厚劑 Thick Supporting Finger	3N	5.6mm	<b>257018B-L</b>						
				6.4mm	<b>257018B-L</b>						
7	飛馬 Pegasus W1562N-01JXBS W1562N-01JXCT		3N	<b>W1562N-01JXBS</b>		257206-16F	257258-16F	257542			
				5.6mm	<b>259620B56</b>						
				<b>W1562N-01JXCT</b>							
8	飛馬 Pegasus (舊款old type) W61-02		2N	3.2mm	<b>206356</b>	206280	206284	201785A			
				4.0mm	<b>206357</b>	206280	206284	201786A			
				4.8mm	<b>206358</b>	206281	206285	201850			
			3N	5.6mm	<b>206455</b>	206281	206285	201855			
				6.4mm	<b>206456</b>	206281	206285	201856			
9	飛馬 Pegasus (舊款old type) W561-06AA		2N	3.2mm	<b>257012A</b>	257201-16F	257251-16F	257500			
				4.0mm	<b>257013A</b>	257202-16F	257252-16F	257500			
				4.8mm	<b>257013A</b>	257202-16F	257252-16F	257500			
			3N	5.6mm	<b>257014A</b>	257202-16F	257252-16F	257501			
				6.4mm	<b>257014A</b>	257202-16F	257252-16F	257501			

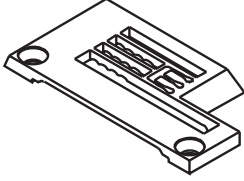
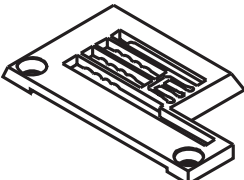
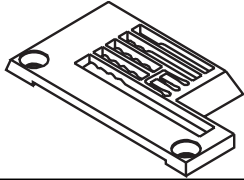
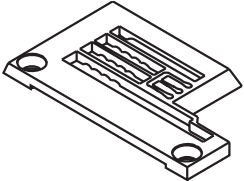
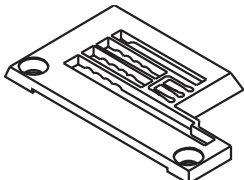
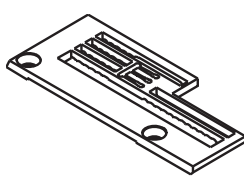
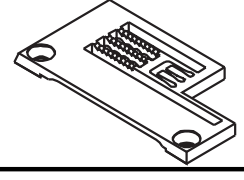
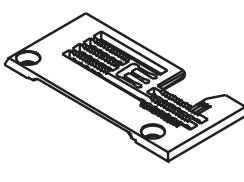
編號 No.	車種 Machine Models	圖片 Drawings	針數 No. of Needle	針距 Needle Space	針板 Needle Plate	送布牙 Feed Dog		針頭 Needle Clamp			
10	飛馬 Pegasus W561-02BB W562-02BB W664-02BB		2N	3.2mm	257029B	W561-02BB W562-02BB	W664-02BB	257244-16F 257291-16F	257517		
				4.0mm	257030B	257215-16F 257261-16F	257245-16F 257292-16F	257517			
				4.8mm	257030B	257215-16F 257261-16F	257245-16F 257292-16F	257517			
				3N	4.8mm	257031B	257215-16F 257261-16F	257245-16F 257292-16F	257518		
					5.6mm	257033B	257216-16F 257262-16F	257246-16F 257293-16F	257518		
					6.4mm	257033B	257216-16F 257262-16F	257246-16F 257293-16F	257518		
			11	飛馬 Pegasus W562-02SB		2N	3.2mm	257023B32	257208-16F	257260-16F	257500
							4.0mm	257024B40	257209-16F	257261-16F	257500
							4.8mm	257024B48	257209-16F	257261-16F	257500
5.6mm	257041B56	257210-16F					257262-16F	257500			
6.4mm	257041B64	257210-16F					257262-16F	257500			
3N	4.8mm	257040B48				257209-16F	257261-16F	257501			
	5.6mm	257025B56				257210-16F	257262-16F	257501			
	6.4mm	257025B64				257210-16F	257262-16F	257501			
12	飛馬 Pegasus W1562N-02GXBS		3N	5.6mm	259632B	257280-16F	257297-16F	257542			
				6.4mm	259632B	257280-16F	257297-16F	257542			
13	飛馬 Pegasus EMK (舊款old type) W61-05		2N	4.0mm	306397	206281	306401	201786A			
				4.8mm	306398	206281	306401	201850			
			3N	5.6mm	306399	206281	306401	201855			
				6.4mm	306400	206281	306401	201856			
14	飛馬 Pegasus EMK (舊款old type) W561-05AB		2N	4.0mm	257009B40	257202-16F	257255-16F	257500			
				4.8mm	257009B48	257202-16F	257255-16F	257500			
			3N	5.6mm	257010B56	257202-16F	257255-16F	257501			
				6.4mm	257010B64	257202-16F	257255-16F	257501			
15	飛馬 Pegasus EMK W561-05BB, CB W562-05BB, CB W664-05BB W1562N-05BXBS		2N	3.2mm	257049B32	W561-05BB, CB W562-05BB, CB W1562N-05BXBS	W664-05BB	257220-16F 259216-16F	257517		
				4.0mm	257050B40	257221-16F 257267-16F	259104-16F 259105-16F 259217-16F	257517			
				4.8mm	257050B48	257221-16F 257267-16F	259105-16F 259217-16F	257517			
			3N	4.8mm	257051B48	257221-16F 257267-16F	259105-16F 259217-16F	257518			
				5.6mm	257053B56	257222-16F 257268-16F	259106-16F 259218-16F	257518			
				6.4mm	257053B64	257222-16F 257268-16F	259106-16F 259218-16F	257518			
				16	飛馬 Pegasus EMK W561-05BB, CB W562-05BB, CB W664-05BB W1562N-05BXBS		2N	3.2mm	257049B32A	W561-05BB, CB W562-05BB, CB W1562N-05BXBS	W664-05BB
4.0mm	257050B40A	257222-16F 257268-16FA	259106-16F 259218-16F					257517			
4.8mm	257050B48A	257222-16F 257268-16F	259106-16F 259218-16F					257517			
3N	4.8mm	257051B48A	257222-16F 257268-16F				259106-16F 259218-16F	257518			
	5.6mm	257053B56A	257222-16F 257268-16F				259106-16F 259218-16F	257518			
	6.4mm	257053B64A	257222-16F 257268-16F				259106-16F 259218-16F	257518			

針板 Needle Plates

編號 No.	車種 Machine Models	圖片 Drawings	針數 No. of Needle	針距 Needle Space	針板 Needle Plate	送布牙 Feed Dog		針頭 Needle Clamp	
17	飛馬 Pegasus W664-34AB W664-35AB W664-35BB		2N	3.2mm	<b>257100B32</b>	259100-16F	259202-16F	257541	
				4.0mm	<b>257100B40</b>	259100-16F	259202-16F	257541	
				4.8mm	<b>257100B48</b>	259100-16F	259202-16F	257541	
			3N	5.6mm	<b>257101B56</b>	259101-16F	259203-16F	257541	
				4.8mm	<b>257102B48</b>	259101-16F	259203-16F	257542	
				5.6mm	<b>257102B56</b>	259101-16F	259203-16F	257542	
18	飛馬 Pegasus W664-34AC W664-35AC W664-35BC		2N	3.2mm	<b>257100C32</b>	259100-16F	259202-16F	257541	
				4.0mm	<b>257100C40</b>	259100-16F	259202-16F	257541	
				4.8mm	<b>257100C48</b>	259100-16F	259202-16F	257541	
			3N	5.6mm	<b>257101C56</b>	259101-16F	259203-16F	257541	
				4.8mm	<b>257102C48</b>	259101-16F	259203-16F	257542	
				5.6mm	<b>257102C56</b>	259101-16F	259203-16F	257542	
19	飛馬 Pegasus W664-03FB		3N	5.6mm	<b>257097B</b>	259103-16F	259215-16F	257518	
				6.4mm	<b>257097B</b>	259103-16F	259215-16F	257518	
20	飛馬 Pegasus WS62-03 W561-03AB		3N	<b>WS62-03</b>					
				5.6mm	<b>207419</b>	206818	207108	207059	
				<b>W561-03AB</b>					
21	飛馬 Pegasus W61 W561 W562 W664		3N	<b>W61, W561</b>					
				5.6mm	<b>206276C</b>				
				6.4mm	<b>206277C</b>				
				<b>W562, W664</b>					
22	飛馬 Pegasus W61 W561 W562 W664		3N	<b>W61, W561</b>					
				5.6mm	<b>206276D</b>				
				6.4mm	<b>206277D</b>				
				<b>W562, W664</b>					
23	飛馬 Pegasus W61 W561 W562 W664		3N	<b>W61, W561</b>					
				5.6mm	<b>206276G</b>				
				6.4mm	<b>206277G</b>				
				<b>W562, W664</b>					
			3N	5.6mm	<b>257018C56</b>				
				6.4mm	<b>257018C64</b>				

雅滿桃 Yamato								
編號 No.	車種 Machine Models	圖片 Drawings	針數 No. of Needle	針距 Needle Space	針板 Needle Plate	送布牙 Feed Dog		針頭 Needle Clamp
24	雅滿桃 Yamato DW-100		3N	5.6mm	<b>Y90166</b>	90624	90625	90344
25	雅滿桃 Yamato DV-1266		2N	4.0mm	<b>Y93410</b>	93411	93412	93352

編號 No.	車種 Machine Models	圖片 Drawings	針數 No. of Needle	針距 Needle Space	針板 Needle Plate	送布牙 Feed Dog				針頭 Needle Clamp	
						DW-1350 DW-1500	DW-1700	DW-1350 DW-1500	DW-1700		
26	雅滿桃 Yamato DW-1350 DW-1500 DW-1700		2N	3.2mm	Y93170	93394	93395	63142	63350	93251	63255
				4.0mm	Y93171	93394	93395	63142	63350	93252	63256
				4.8mm	Y93172	93394	93395	63142	63350	93253	63257
			3N	4.8mm	Y94800	93394	93395	63142	63350	93256	64009
				5.6mm	Y94801	93394	93395	63142	63350	93257	64010
				6.4mm	Y94802	93396	93397	63304	63351	93258	64011
27	雅滿桃 Yamato VF-2500 VC-2600 VC-2700		2N	3.2mm	Y93170	3209000	3209001	3109000	3109001	3209100	93351
				4.0mm	Y93171	3209000	3209001	3109000	3109001	3209101	93352
				4.8mm	Y93172	3209000	3209001	3109000	3109001	3209102	93353
			3N	4.8mm	Y94800	3209000	3209001	3109000	3109001	3209106	93356
				5.6mm	Y94801	3209000	3209001	3109000	3109001	3209107	93357
				6.4mm	Y94802	3209002	3209003	3109002	3109003	3209108	93358
28	雅滿桃 Yamato DW-1350 DW-1500 DW-1700 VF-2500 VC-2600 VC-2700	 厚削 Thick Supporting Finger	3N	5.6mm	Y94801L						
				6.4mm	Y94802L						
29	雅滿桃 Yamato VF-2200 VF-2300 VC-2700M		2N	3.2mm	Y3108130	3209001	3209080	3106000	3109000	93351	
				4.0mm	Y3108131	3209001	3209080	3106000	3109000	93352	
				4.8mm	Y3108132	3209001	3209080	3106000	3109000	93353	
			3N	4.8mm	Y3108133	3209001	3209080	3106000	3109000	93356	
				5.6mm	Y3108134	3209001	3209080	3106000	3109000	93357	
				6.4mm	Y3108135	3209003	3209081	3106001	3109002	93358	
			4N	6.0mm	Y3108136	3209003	3209081	3106001	3109002	Y-6N4	
30	雅滿桃 Yamato VF-2300 VC-2700M	 厚削 Thick Supporting Finger	3N	5.6mm	Y3108134L						
				6.4mm	Y3108135L						
31	雅滿桃 Yamato VG-2700		2N	3.2mm	Y3508000	3509004		3509005	93351		
				4.0mm	Y3508001	3509004		3509005	93352		
				4.8mm	Y3508002-2	3509004		3509005	93353		
			3N	4.8mm	Y3508002	3509004		3509005	93356		
				5.6mm	Y3508003	3509004		3509005	93357		
6.4mm	Y3508004	3509004		3509005	93358						
32	雅滿桃 Yamato VG-2700	 厚削 Thick Supporting Finger	3N	5.6mm	Y3508003L	3509004		3509005	93357		
				6.4mm	Y3508004L	3509004		3509005	93358		
33	雅滿桃 Yamato DW-103		3N	5.6mm	Y91764	91728		91729	90344		

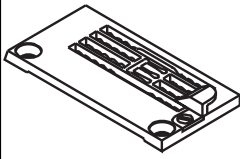
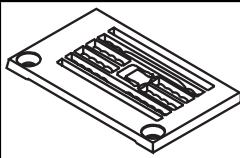
編號 No.	車種 Machine Models	圖片 Drawings	針數 No. of Needle	針距 Needle Space	針板 Needle Plate	送布牙 Feed Dog		針頭 Needle Clamp			
34	雅滿桃 Yamato DW-1353 DV-1403-11 DW-1503 DW-1503-11 DV-1603 DW-1703					<u>DW-1353</u> <u>DV-1403-11</u> <u>DW-1503</u> <u>DW-1503-11</u>		<u>DV-1603</u> <u>DW1703</u>		<u>DW-1353</u> <u>DV-1403-11</u> <u>DW-1503</u> <u>DW-1503-11</u>	<u>DV-1603</u> <u>DW-1703</u>
			2N	3.2mm	<b>Y94210</b>	94230 94231	63359 63360	93251	63255		
				4.0mm	<b>Y95234</b>	95087 94233	63359 63360	93252	63256		
				4.8mm	<b>Y94212</b>	94230 94231	63359 63360	93253	63257		
			3N	5.6mm	<b>Y95085</b>	95087 94233	63359 63360	93257	64066		
6.4mm	<b>Y94902</b>	94232 94233		63359 63360	93258	64011					
35	雅滿桃 Yamato VF-2403 VF-2403-11 VF-2503 VF-2503-11 VC-2603 VC-2603-11 VC-2703 VC-2703-11					<u>VF2403</u> <u>VF2403-11</u> <u>VF2503</u> <u>VF2503-11</u>		<u>VC2603</u> <u>VC2603-11</u> <u>VC2703</u> <u>VC2703-11</u>		<u>VF2403</u> <u>VF2403-11</u> <u>VF2503</u> <u>VF2503-11</u>	<u>VC2603</u> <u>VC2603-11</u> <u>VC2703</u> <u>VC2703-11</u>
			2N	3.2mm	<b>Y94210</b>	3209014 3209005	3109017 3109018	3209100	93351		
				4.0mm	<b>Y95234</b>	3209008 3209009	3109020 3109021	3209101	93352		
				4.8mm	<b>Y94212</b>	3209014 3209005	3109017 3109018	3209102	93353		
			3N	4.8mm	<b>Y3208052</b>	3209008 3209009	3109020 3109021	3209106	93356		
				5.6mm	<b>Y95085</b>	3209008 3209009	3109020 3109021	3209107	93357		
6.4mm	<b>Y94902</b>	3209016 3209007		3109022 3109021	3209108	93358					
36	雅滿桃 Yamato VC-2742P		3N	5.6mm	<b>Y67035</b>	3109015	3109016	93357			
37	雅滿桃 Yamato VF-2303-21 VF-2503-21		2N	3.2mm	<b>Y3208102</b>	3209064	3209065	3209100			
				4.0mm	<b>Y3208103</b>	3209064	3209065	3209101			
				4.8mm	<b>Y3208104</b>	3209064	3209065	3209102			
			3N	4.8mm	<b>Y3508051</b>	3209064	3209065	3209106			
				5.6mm	<b>Y3208108</b>	3209064	3209065	3209107			
6.4mm	<b>Y3208109</b>	3209064	3209065	3209108							
38	雅滿桃 Yamato VG-2703		2N	3.2mm	<b>Y3508049</b>	3509000	3509001	93351			
				4.0mm	<b>Y3508050</b>	3509000	3509001	93352			
				4.8mm	<b>Y3508051-2</b>	3509000	3509001	93353			
			3N	4.8mm	<b>Y3508051</b>	3509000	3509001	93356			
				5.6mm	<b>Y3508052</b>	3509000	3509001	93357			
6.4mm	<b>Y3508053</b>	3509000	3509001	93358							
39	雅滿桃 Yamato VC-2635 VC-2685 VC-2735 VC-2785		2N	3.2mm	<b>Y3108004</b>	3109024	3109025	93351			
				4.0mm	<b>Y3108005</b>	3109024	3109025	93352			
				4.8mm	<b>Y3108006</b>	3109024	3109025	93353			
			3N	4.8mm	<b>Y3108001</b>	3109024	3109025	93356			
				5.6mm	<b>Y3108002</b>	3109024	3109025	93357			
6.4mm	<b>Y3108003</b>	3109024	3109025	93358							
40	雅滿桃 Yamato DW-109-EMK		3N	5.6mm	<b>Y92152</b>	92145	92146	90344			
41	雅滿桃 Yamato EMK DW-1359 VF-2409 VF-2509					<u>DW-1359</u>		<u>VF-2409</u> <u>VF-2509</u>		<u>DW-1359</u>	<u>VF-2409</u> <u>VF-2509</u>
			2N	3.2mm	<b>Y95260</b>	94593 95263	3209012 3209013	93251	3209100		
				4.0mm	<b>Y95261</b>	94593 95263	3209012 3209013	93252	3209101		
				4.8mm	<b>Y95262</b>	94593 95263	3209012 3209013	93253	3209102		
			3N	4.8mm	<b>Y95277</b>	94593 95263	3209012 3209013	93256	3209106		
5.6mm	<b>Y95278</b>	94593 95263		3209012 3209013	93257	3209107					
6.4mm	<b>Y95279</b>	94593 95263	3209012 3209013	93258	3209108						

編號 No.	車種 Machine Models	圖片 Drawings	針數 No. of Needle	針距 Needle Space	針板 Needle Plate	送布牙 Feed Dog				針頭 Needle Clamp	
						DW-1359		VF-2409 VF-2509	DW-1359	VF-2409 VF-2509	
42	雅滿桃 Yamato EMK DW-1359 VF-2409 VF-2509		2N	3.2mm	Y95260A	94593	95263	3209012	3209013	93251	3209100
				4.0mm	Y95261A	94593	95263	3209012	3209013	93252	3209101
				4.8mm	Y95262A	94593	95263	3209012	3209013	93253	3209102
			3N	4.8mm	Y95277A	94593	95263	3209012	3209013	93256	3209106
				5.6mm	Y95278A	94593	95263	3209012	3209013	93257	3209107
				6.4mm	Y95279A	94593	95263	3209012	3209013	93258	3209108
43	雅滿桃 Yamato VG-3721		2N	3.2mm	Y3508097	3509039		3209037		93351	
				4.0mm	Y3508098	3509039		3209037		93352	
				4.8mm	Y3508099-1	3509039		3209037		93353	
			3N	4.8mm	Y3508099	3509036		3509037		93356	
				5.6mm	Y3508100	3509036		3509037		93357	
6.4mm	Y3508101	3509036		3509037		93358					
44	雅滿桃 Yamato VC-2713-1		3N	5.6mm	Y3108054		3139000 3139001 3109055		93357		
45	雅滿桃 Yamato VG-2713-T1N		2N	4.0mm	Y3508019	3509005, 3509007, 3509012			93352		
				4.8mm	Y3508020	3509005, 3509007, 3509012		93353			
			3N	4.8mm	Y3508020-3N	3509005, 3509007, 3509012		93356			
				5.6mm	Y3508021	3509005, 3509007, 3509012		93357			
46	雅滿桃 Yamato VG-2713-T4N		2N	4.0mm	3508040	3509005, 3509007, 3509010		93352			
				4.8mm	3508030	3509005, 3509007, 3509010		93353			
			3N	4.8mm	3508031	3509005, 3509007, 3509010		93356			
				5.6mm	3508032	3509005, 3509007, 3509010		93357			
47	雅滿桃 Yamato VG-2713-T1N	 厚削 Thick Supporting Finger	2N	4.0mm	Y3508019L	3509005, 3509007, 3509012		93352			
				4.8mm	Y3508020L	3509005, 3509007, 3509012		93353			
			3N	4.8mm	Y3508020L3N	3509005, 3509007, 3509012		93356			
				5.6mm	Y3508021L	3509005, 3509007, 3509012		93357			
48	雅滿桃 Yamato VG-2713-T4N	 厚削 Thick Supporting Finger	2N	4.0mm	3508040L	3509005, 3509007, 3509010		93352			
				4.8mm	3508030L	3509005, 3509007, 3509010		93353			
			3N	4.8mm	3508031L	3509005, 3509007, 3509010		93356			
				5.6mm	3508032L	3509005, 3509007, 3509010		93357			
19	雅滿桃 Yamato DW-1500 DW-1700 VF-2300 VF-2500 VC-2700 VC-2700M VG-2700		3N	DW-1500, DW-1700, VF-2500, VC-2700							
				5.6mm	Y94801C						
				6.4mm	Y94802C						
				VF-2300, VC-2700M							
				5.6mm	Y3108134C						
				6.4mm	Y3108135C						
				VG-2700							
				5.6mm	Y3508003C						
50	雅滿桃 Yamato DW-1500 DW-1700 VF-2300 VF-2500 VC-2700 VC-2700M VG-2700		3N	DW-1500, DW-1700, VF-2500, VC-2700							
				5.6mm	Y94801D						
				6.4mm	Y94802D						
				VF-2300, VC-2700M							
				5.6mm	Y3108134D						
				6.4mm	Y3108135D						
				VG-2700							
				5.6mm	Y3508003D						
6.4mm	Y3508004D										

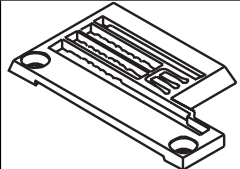


編號 No.	車種 Machine Models	圖片 Drawings	針數 No. of Needle	針距 Needle Space	針板 Needle Plate	送布牙 Feed Dog	針頭 Needle Clamp
51	雅滿桃 Yamato DW-1500 DW-1700 VF-2300 VF-2500 VC-2700 VC-2700M		3N	<u>DW-1500, DW-1700, VF-2500, VC-2700</u>			
				5.6mm	<b>Y94801G</b>		
				6.4mm	<b>Y94802G</b>		
				<u>VF-2300, VC-2700M</u>			
				5.6mm	<b>Y3108134G</b>		
				6.4mm	<b>Y3108135G</b>		

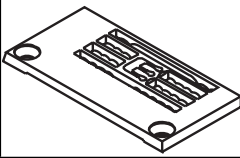
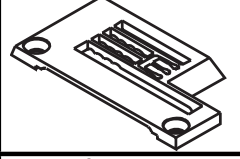
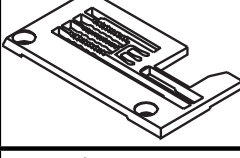
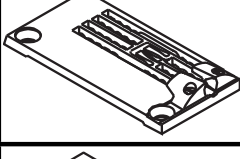
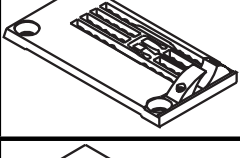
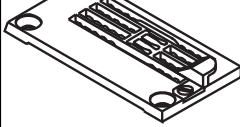
關西 Kansai Special											
編號 No.	車種 Machine Models	圖片 Drawings	針數 No. of Needle	針距 Needle Space	針板 Needle Plate	送布牙 Feed Dog	針頭 Needle Clamp				
52	關西 Kansai Special DWK-1803D W803D W8103D		2N	3.2mm	<b>14-724</b>	15-724	15-755	12-811			
				4.0mm	<b>14-734</b>	15-724	15-755	12-812			
				4.8mm	<b>14-744</b>	15-723	15-753	12-813			
			3N	5.6mm	<b>14-854</b>	15-723	15-753	12-801			
				6.4mm	<b>14-864</b>	15-723	15-753	12-802			
53	關西 Kansai Special WX8803D		2N	3.2mm	<b>14-806</b>	15-805	15-806	12-8060			
				4.0mm	<b>14-807</b>	15-805	15-806	12-8070			
				4.8mm	<b>14-808</b>	15-805	15-806	12-8080			
			3N	5.6mm	<b>14-818</b>	15-807	15-808	12-8180			
				6.4mm	<b>14-819</b>	15-807	15-808	12-8190			
54	關西 Kansai Special DWK-1804D		4N	6.0mm	<b>14-893</b>	15-723	15-753	12-893			
55	關西 Kansai Special DWK-1803F W803F W8103F WX8803F				<u>W803F</u>	<u>DWK-1803F</u>	<u>WX8803F</u>	<u>W803F</u>	<u>DWK-1803F</u>	<u>WX8803F</u>	
			2N	3.2mm	<b>14-726</b>	15-729	15-758	15-813	15-814	12-811	12-8060
				4.0mm	<b>14-736</b>	15-729	15-758	15-813	15-814	12-812	12-8070
				4.8mm	<b>14-746</b>	15-727	15-756	15-811	15-812	12-813	12-8080
			3N	5.6mm	<b>14-856</b>	15-727	15-756	15-811	15-812	12-801	12-8180
6.4mm	<b>14-866</b>	15-727		15-756	15-811	15-812	12-802	12-8190			
56	關西 Kansai Special DWK-1803EMK W803EMK W8103EMK		2N	4.0mm	<b>14-738</b>	15-728	15-828	12-812			
				4.8mm	<b>14-748</b>	15-728	15-828	12-813			
			3N	5.6mm	<b>14-858</b>	15-728	15-828	12-801			
				6.4mm	<b>14-868</b>	15-728	15-828	12-802			
57	關西 Kansai Special WX8803C		3N	6.4mm	<b>14-862</b>	15-823	15-808	12-8190			
58	關西 Kansai Special DWK-1803D W803D W8103D WX8803D		3N	<u>W803D, DWK-1803D, W8103D</u>							
				5.6mm	<b>14-854C</b>						
				6.4mm	<b>14-864C</b>						
				<u>WX8803D</u>							
				5.6mm	<b>14-818C</b>						
6.4mm	<b>14-819C</b>										
59	關西 Kansai Special DWK-1803D W803D W8103D WX8803D		3N	<u>W803D, DWK-1803D, W8103D</u>							
				5.6mm	<b>14-854D</b>						
				6.4mm	<b>14-864D</b>						
				<u>WX8803D</u>							
				5.6mm	<b>14-818D</b>						
6.4mm	<b>14-819D</b>										

編號 No.	車種 Machine Models	圖片 Drawings	針數 No. of Needle	針距 Needle Space	針板 Needle Plate	送布牙 Feed Dog	針頭 Needle Clamp
60	關西 Kansai Special DWK-1803D W803D W8103D WX8803D		3N	W803D, DWK-1803D W8103D			
				5.6mm	14-854G		
				6.4mm	14-864G		
				WX8803D			
				5.6mm	14-818G		
				6.4mm	14-819G		
61	關西 Kansai Special BLX2202PC-W		2N	6.4mm	14-567	15-878	12-8100-1

## 祖奇 Juki

編號 No.	車種 Machine Models	圖片 Drawings	針數 No. of Needle	針距 Needle Space	針板 Needle Plate	送布牙 Feed Dog	針頭 Needle Clamp	
62	祖奇 Juki MF-7605U-C02		3N	5.6mm	50324AU	50305BX	50326BT	50318AL
				6.4mm	50324AU	50305BX	50326BT	50318AL

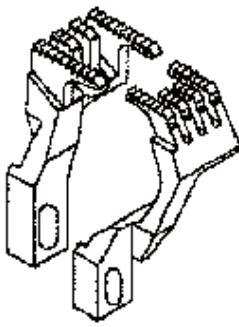
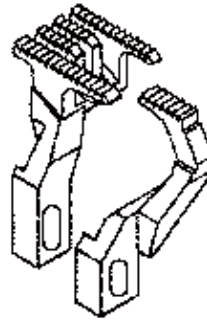
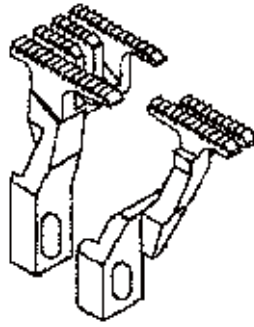
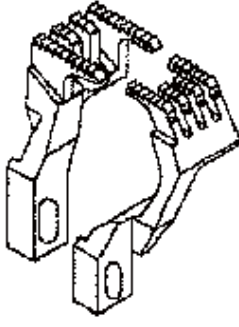
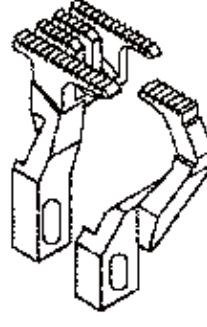
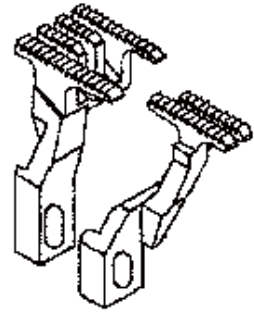
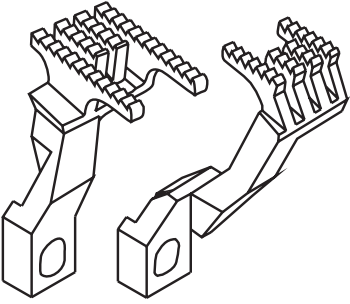
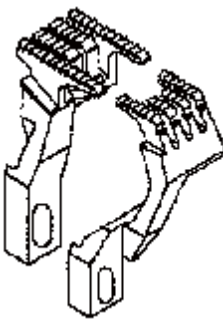
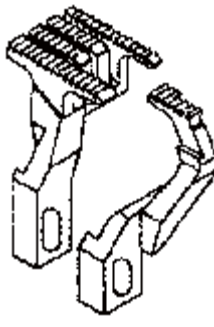
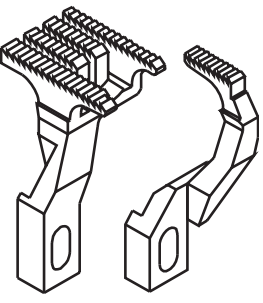
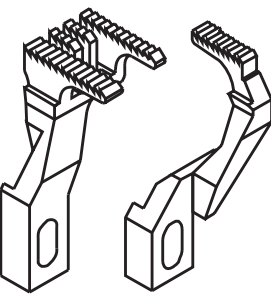
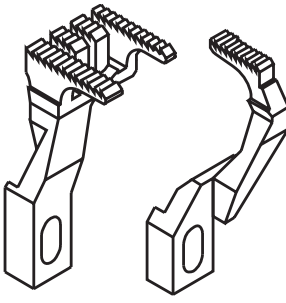
## 兄弟 Brother

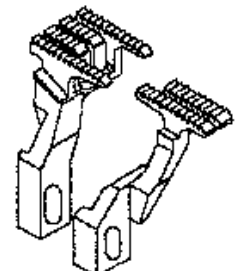
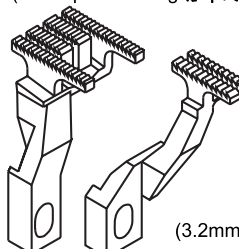
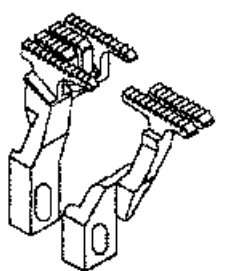
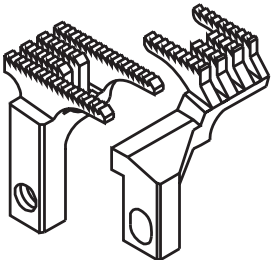
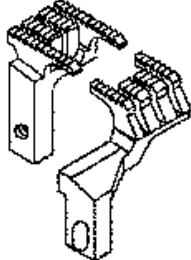
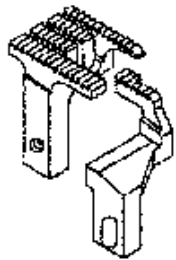
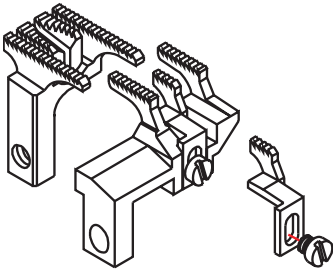
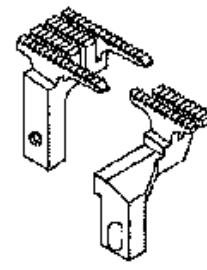
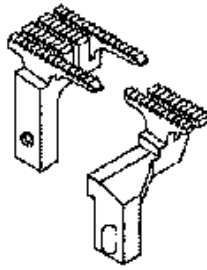
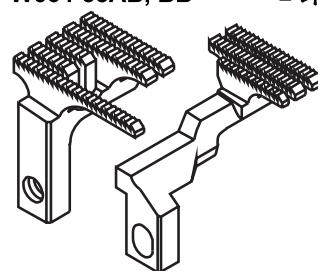
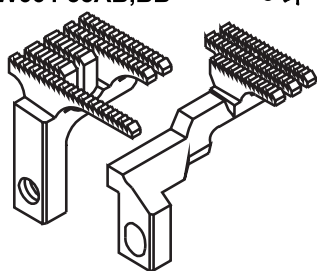
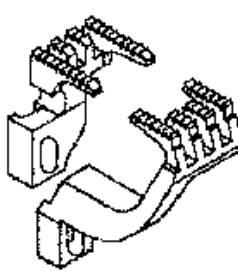
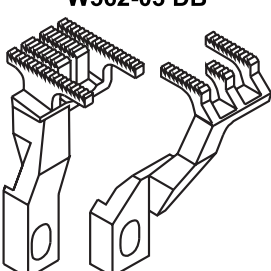
編號 No.	車種 Machine Models	圖片 Drawings	針數 No. of Needle	針距 Needle Space	針板 Needle Plate	送布牙 Feed Dog	針頭 Needle Clamp	
63	兄弟 Brother FD4-B271-011		2N	3.2mm	S08717-001	S08882-001	S08885-001	S08699-001
				4.0mm	S08718-001	S08882-001	S08885-001	S08701-001
				4.8mm	S08719-001	S08882-001	S08885-001	S08703-001
			3N	5.6mm	S08723-001	S08882-001	S08885-001	S08711-001
				6.4mm	S08724-001	S08882-001	S08885-001	S08713-001
64	兄弟 Brother FD4-B271-021		2N	3.2mm	S08725-101	S08883-001	S08886-001	S08699-001
				4.0mm	S08726-001	S08883-001	S08886-001	S08701-001
				4.8mm	S08727-001	S08883-001	S08886-001	S08703-001
			3N	5.6mm	S08731-001	S08883-001	S08886-001	S08711-001
				6.4mm	S08732-001	S08883-001	S08886-001	S08713-001
65	兄弟 Brother FD4-B271-071EMK FD4-B271-075EMK		2N	4.0mm	S08740-001	S08883-001	S08888-101	S08701-001
				4.8mm	S08741-001	S08883-001	S08888-101	S08703-001
			3N	5.6mm	S08745-001	S08883-001	S08888-101	S08711-001
				6.4mm	S08746-001	S08883-001	S08888-101	S08713-001
66	兄弟 Brother FD4-B271-C		3N	5.6mm	S08723-001C			
				6.4mm	S08724-001C			
67	兄弟 Brother FD4-B271-D		3N	5.6mm	S08723-001D			
				6.4mm	S08724-001D			
68	兄弟 Brother FD4-B271-G		3N	5.6mm	S08723-001G			
				6.4mm	S08724-001G			

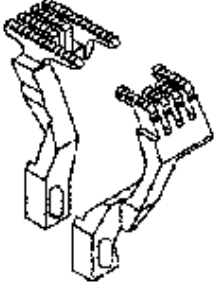
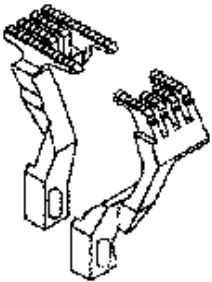
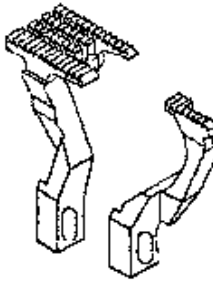
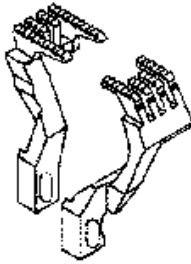
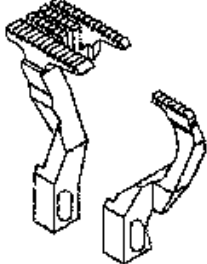
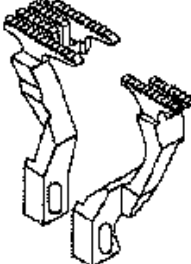
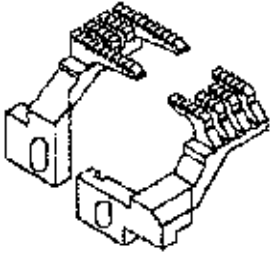
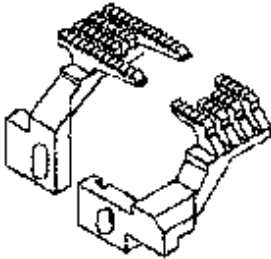
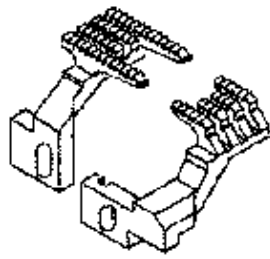
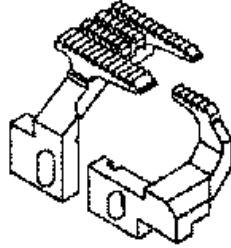
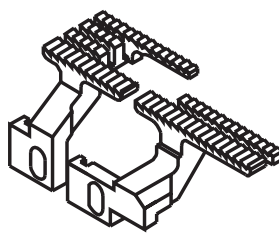
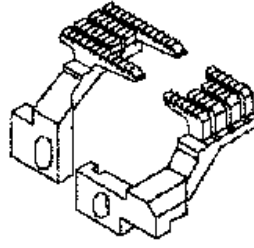
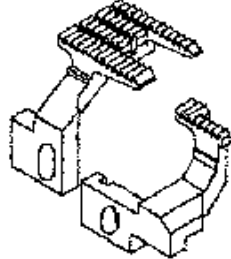
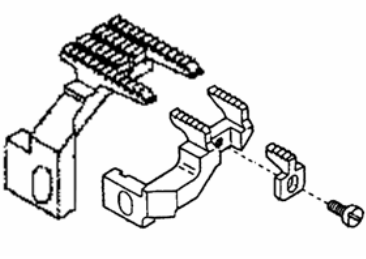
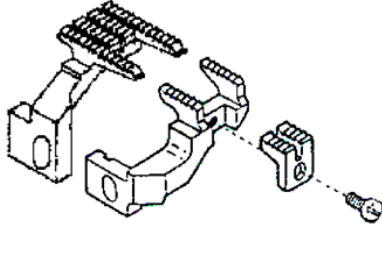
**送布牙 Feed Dogs**

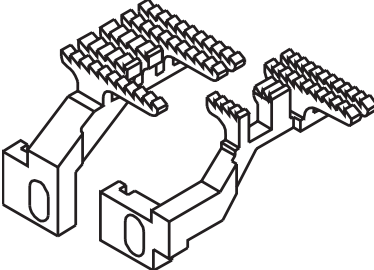
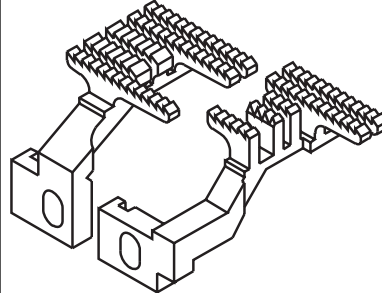
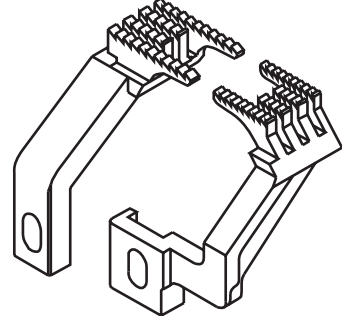
**飛馬 Pegasus**

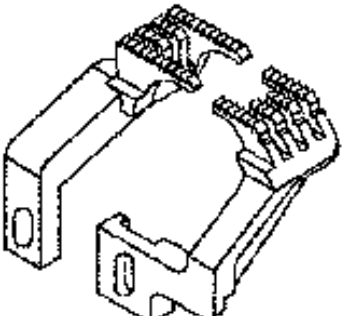
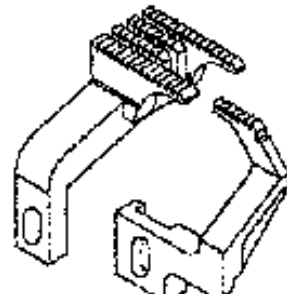
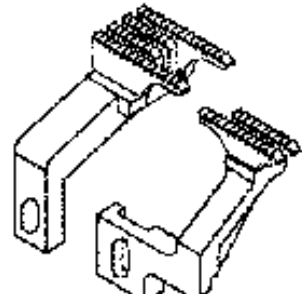
送布牙 Feed Dogs

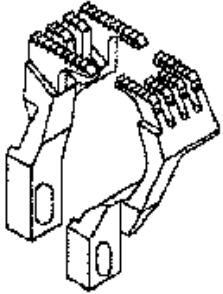
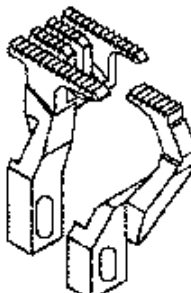
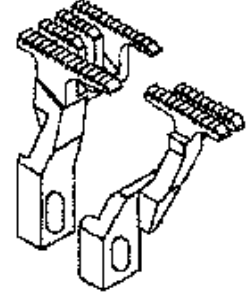
<p>1</p> <p>W61-01</p>  <p>206279      206283</p>	<p>2</p> <p>W61-02</p>  <p>206281      206285</p>	<p>3</p> <p>W61-05</p>  <p>206281      306401</p>
<p>4</p> <p>W561-01AB</p>  <p>257200-16F      257250-16F</p>	<p>5</p> <p>W561-02AB</p>  <p>257202-16F      257252-16F</p>	<p>6</p> <p>W561-05AB</p>  <p>257202-16F      257255-16F</p>
<p>7</p> <p>W562-01CB                  W1562N-01JXBS      2 Needles                  W1562N-01JXCT      2 針                  W1562N-01GXBS</p>  <p>257206-16F      257258-16F</p>	<p>8</p> <p>W562-01CB      3 Needles                  W1562N-01GXBS      3 針</p>  <p>257207-16F      257259-16F</p>	<p>9</p> <p>W562-02BB</p>  <p>257216-16F      257262-16F</p>
<p>10</p> <p>W1562N-02GXBS</p>  <p>257280-16F      257297-16F</p>	<p>11</p> <p>W562-02SB      2 Needles      2 針</p>  <p>257209-16F      257261-16F</p>	<p>12</p> <p>W562-02SB      3 Needles      3 針</p>  <p>257210-16F      257262-16F</p>

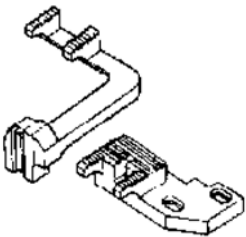
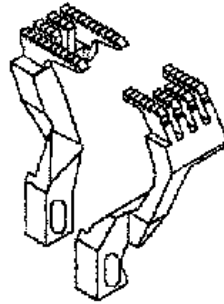
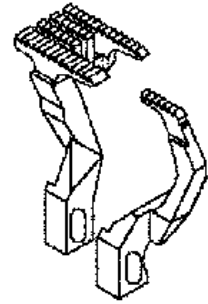
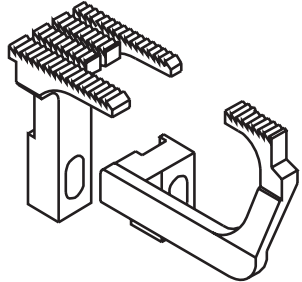
<p>13</p> <p>W562-05BB W1562N-05BXBS</p> <p>2 Needles 2 針</p>  <p>257221-16F 257267-16F</p>	<p>14</p> <p>W562-05BB W1562N-05BXBS</p> <p>2 Needles 2 針</p> <p>(For Tape attaching 落帶用)</p>  <p>(3.2mm-4.0mm)</p> <p>257222-16F 257268-16FA</p>	<p>15</p> <p>W562-05BB W1562N-05BXBS</p> <p>3 Needles 3 針</p>  <p>257222-16F 257268-16F</p>
<p>16</p> <p>W664-01CB</p> <p>2 Needles 2 針</p>  <p>257242-16F 257289-16F</p>	<p>17</p> <p>W664-01CB</p> <p>3 Needles 3 針</p>  <p>257243-16F 257290-16F</p>	<p>18</p> <p>W664-02BB</p>  <p>257246-16F 257293-16F</p>
<p>19</p> <p>W664-03FB</p>  <p>259103-16F 259215-16F</p>	<p>20</p> <p>W664-05BB</p> <p>2 Needles 2 針</p>  <p>259105-16F 259217-16F</p>	<p>21</p> <p>W664-05BB</p> <p>3 Needles 3 針</p>  <p>259106-16F 259218-16F</p>
<p>22</p> <p>W664-34AB W664-35AB, BB</p> <p>2 Needles 2 針</p>  <p>259100-16F 259202-16F</p>	<p>23</p> <p>W664-34AB W664-35AB, BB</p> <p>3 Needles 3 針</p>  <p>259101-16F 259203-16F</p>	<p>24</p> <p>WS62-01</p>  <p>206818 206820</p>
<p>25</p> <p>W562-03 DB</p>  <p>257207-16F 257253-16F</p>		

雅滿桃 Yamato					
26	<p>VF2200 VF2300</p>  <p>3209080 3209001 (3.2-5.6)</p>	27	<p>VF2300</p>  <p>3209081 3209003 (6.4)</p>	28	<p>VF2203 VF2303 VF2503-21</p>  <p>3209064 3209065</p>
29	<p>VF2500</p>  <p>3209000 3209001</p>	30	<p>VF2503 VF2504-11</p>  <p>3209008 3209009</p>	31	<p>VF2509</p>  <p>3209012 3209013</p>
32	<p>VC2700</p>  <p>3109001 3109000</p>	33	<p>VC2700M</p>  <p>3106000 3109000 (3.2-5.6)</p>	34	<p>VC2700M</p>  <p>3106001 3109002 (6.4)</p>
35	<p>VC2703-11</p>  <p>3109021 3109020</p>	36	<p>VC2785</p>  <p>Y3109025 Y3109024</p>	37	<p>VG2700</p>  <p>3509005 3509004</p>
38	<p>VG2703</p>  <p>3509001 3509000</p>	39	<p>VG2713-T1N</p>  <p>3509005 3509007 3509012</p>	40	<p>VG2713-T4N</p>  <p>3509005 3509007 3509010</p>

41	<p>VG3721 2 Needles 2 針</p>  <p>3509037 3509039</p>	<p>VG3721 3 Needles 3 針</p>  <p>3509037 3509036</p>	<p>DV1266</p>  <p>93411 93412</p>
----	--	--	--

44	<p>DW1500MD/ME</p>  <p>93395 93394</p>	<p>DW1503-11</p>  <p>94233 95087</p>	<p>DW1359 DW1509</p>  <p>94593 95263</p>
----	--	--	--

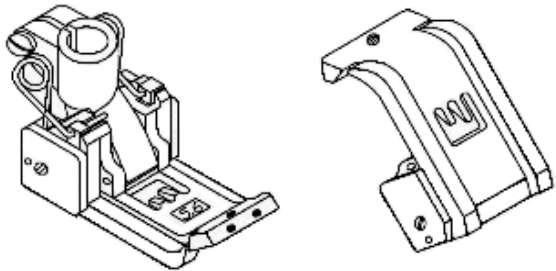
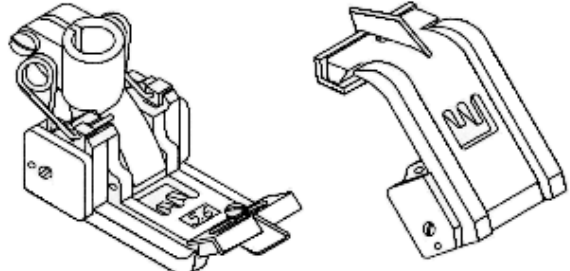
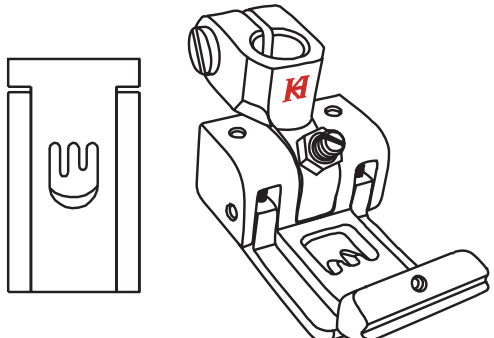
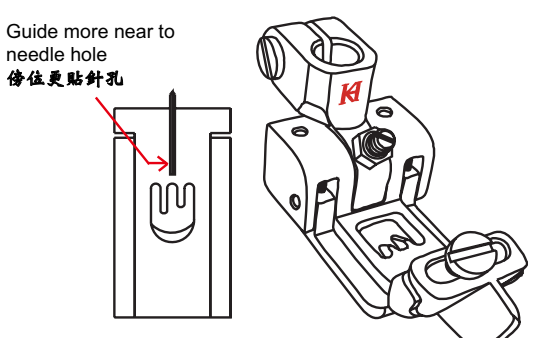
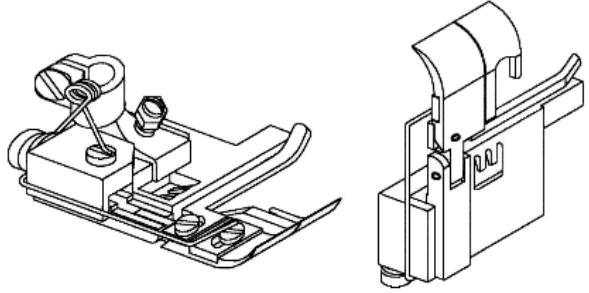
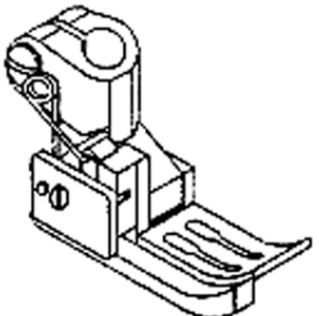
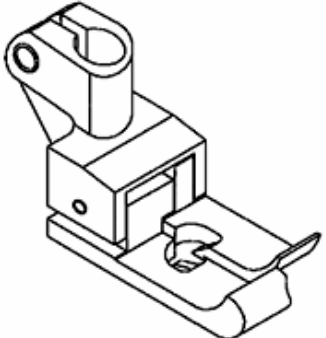
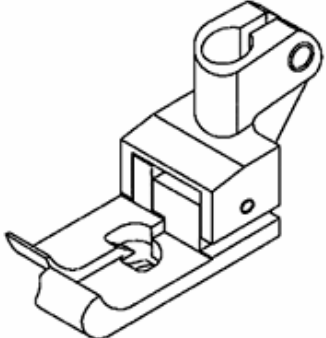
<b>兄弟 Brother</b>			
47	<p>FD4-B27-001</p>  <p>S08882-001 S08885-001</p>	<p>FD4-B271-021</p>  <p>S08883-001 S08886-001</p>	<p>FD4-B271-071 EMK FD4-B271-075 EMK</p>  <p>S08883-001 S08888-101</p>

<b>關西 Kansai Special</b>		<b>祖奇 Juki</b>		
50	<p>DPW-1302</p>  <p>15-301 15-361</p>	<p>WX8803D</p>  <p>15-806 15-805</p>	<p>WX8803F</p>  <p>15-812 15-811</p>	<p>MF-7605U-C02</p>  <p>50305BX 50326BT</p>

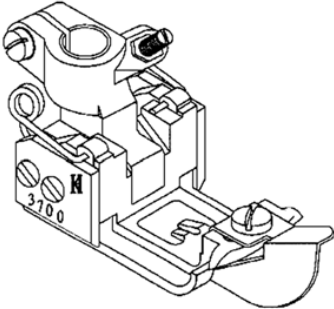
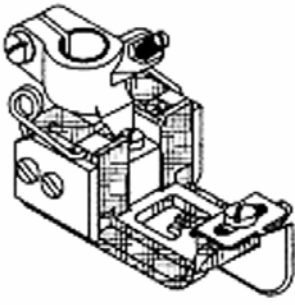
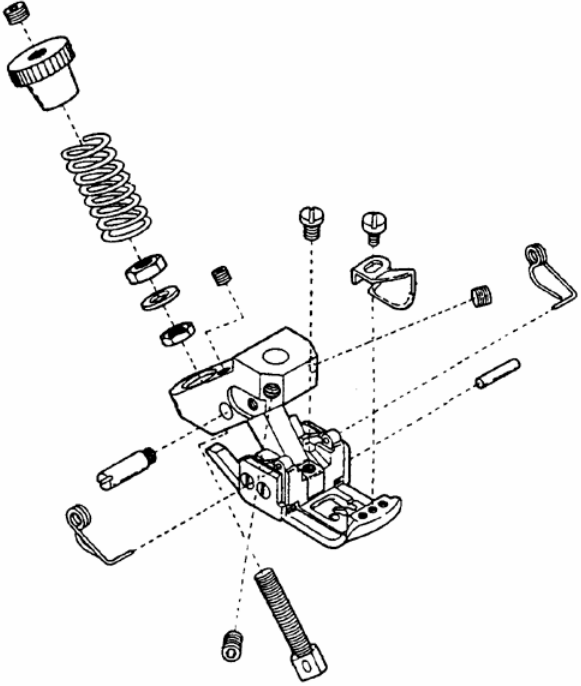
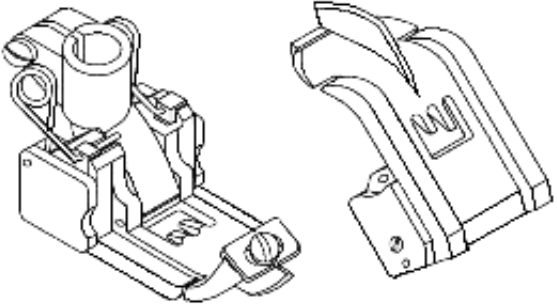
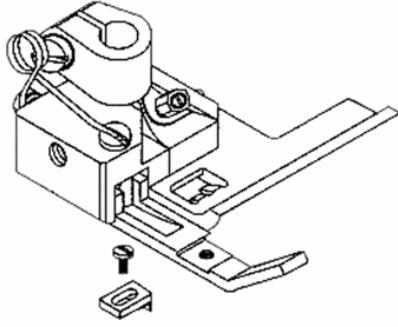
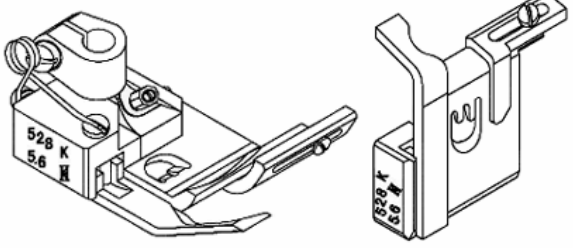
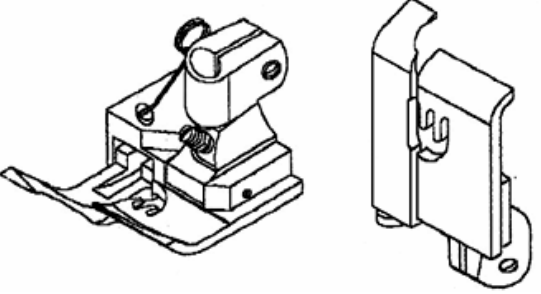
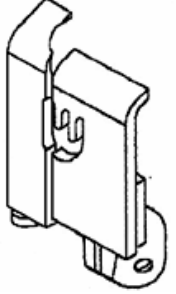
## 壓腳 Presser Feet

壓腳 Presser Feet

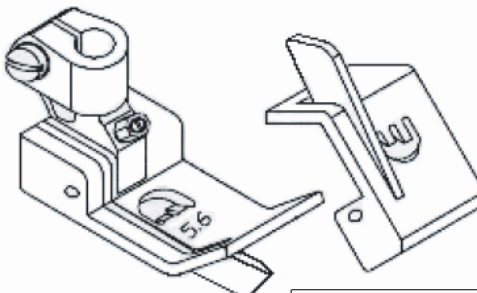
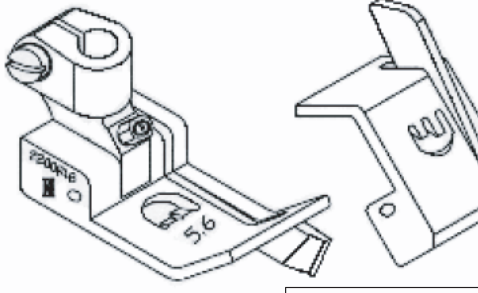
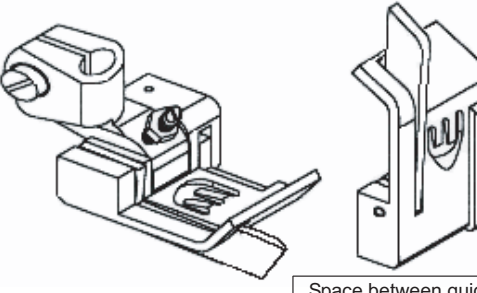
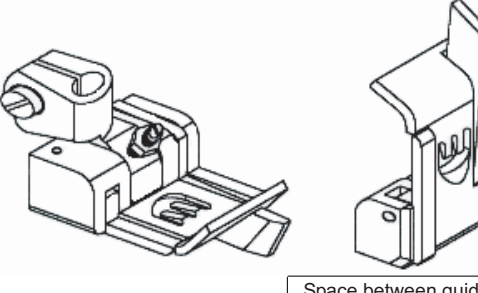
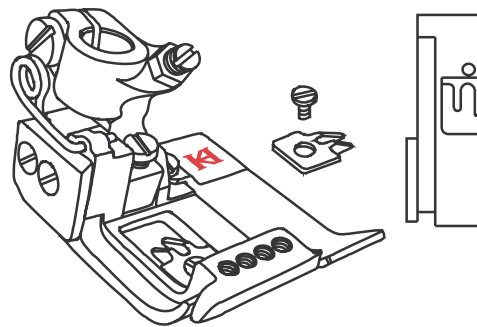
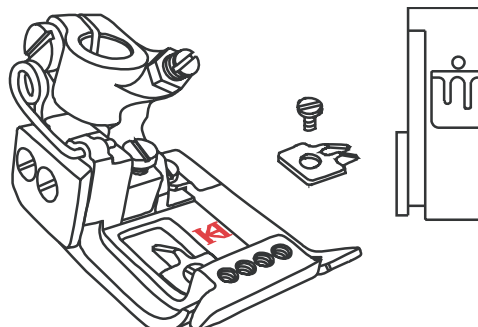
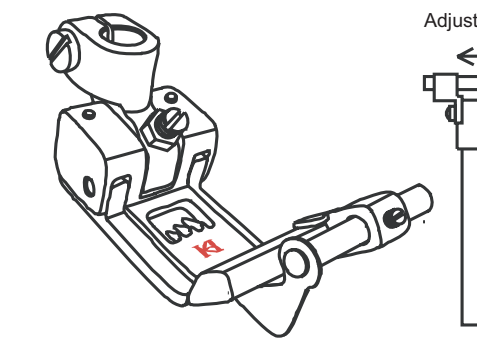
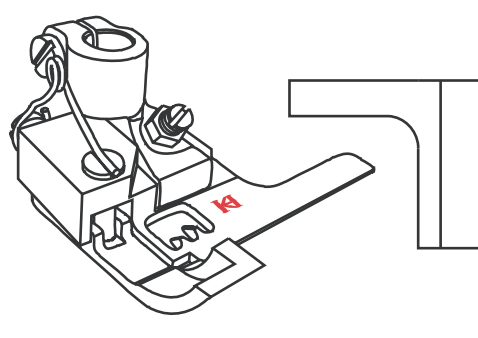
1																			
	<b>257300A32</b>	<b>257300A40</b>	<b>257300A48</b>	<b>257300A56</b>	<b>257300A64</b>	<b>257312A32</b>	<b>257312A40</b>	<b>257312A48</b>	<b>257313A56</b>	<b>257313A64</b>									
2-Needle 2針					3-Needle 3針					2-Needle 2針					3-Needle 3針				
3.2mm		4.0mm		4.8mm		5.6mm		6.4mm		3.2mm		4.0mm		4.8mm		5.6mm		6.4mm	
3																			
	<b>257317A32</b>	<b>257318A40</b>	<b>257318A48</b>	<b>257321A56</b>	<b>251321A64</b>	<b>257327A32</b>	<b>257328A40</b>	<b>257328A48</b>			2-Needle 2針								
2-Needle 2針					3-Needle 3針					<b>257330A48</b>		<b>257331A56</b>		<b>257331A64</b>		3-Needle 3針			
3.2mm		4.0mm		4.8mm		5.6mm		6.4mm		4.8mm		5.6mm		6.4mm					
5																			
						<b>257350-32</b>													
						<b>257351-40</b>													
						<b>357351-48</b>					2-Needle 2針								
						<b>357358-56</b>													
						<b>257358-64</b>													
						<b>257357-48</b>					3-Needle 3針								
						<b>257352-56</b>													
					<b>257352-64</b>														
3.2mm		4.0mm		4.8mm		5.6mm		6.4mm		4.8mm		5.6mm		6.4mm					
6																			
	<b>257471</b>					<b>257472</b>					<b>257485</b>					<b>257486</b>			
2-Needle 2針					3-Needle 3針					2-Needle 2針					3-Needle 3針				
4.0mm		4.8mm		5.6mm		6.4mm		3.2mm		4.0mm		4.8mm		4.8mm		5.6mm		6.4mm	

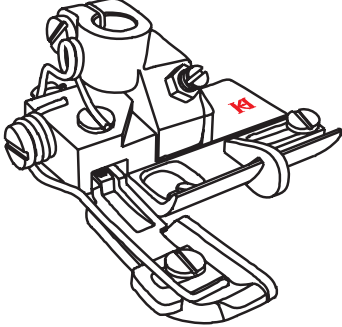
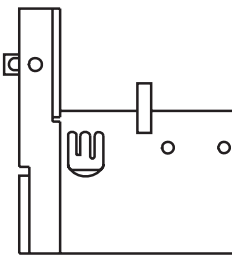

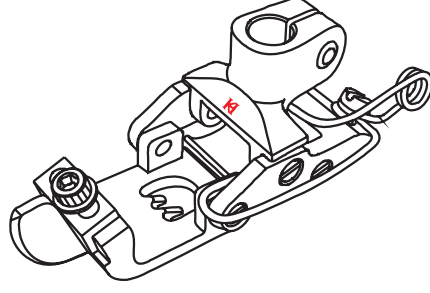
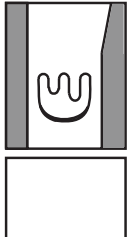
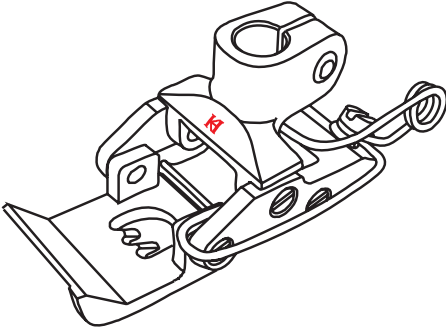
8			2-Needle 2 針	
	<b>Y63318</b> 3.2mm	<b>Y63319</b> 4.0mm	<b>Y63320</b> 4.8mm	
	<b>3107050</b> 4.8mm	<b>Y64041</b> 5.6mm	<b>Y64042</b> 6.4mm	3-Needle 3 針
9			2-Needle 2 針	
	<b>Y63318N</b> 3.2mm	<b>Y63319N</b> 4.0mm	<b>Y63320N</b> 4.8mm	
	<b>3107050N</b> 4.8mm	<b>Y64041N</b> 5.6mm	<b>Y64042N</b> 6.4mm	3-Needle 3 針
10			2-Needle 2 針	
	<b>2700K</b>		3-Needle 3 針	
11			2-Needle 2 針	
	<b>2700KN</b>		3-Needle 3 針	
12			2-Needle 2 針	
	<b>Y95313</b> 3.2mm	<b>Y95314</b> 4.0mm	<b>Y95315</b> 4.8mm	
				3-Needle 3 針
13			2-Needle 2 針	
	<b>1266L (93415)</b>			
	4.0mm			
14			3-Needle 3 針	
	<b>3100L</b>	5.6mm	6.4mm	
15			3-Needle 3 針	
	<b>3100R</b>	5.6mm	6.4mm	



16						17					
	<b>3700</b>						<b>CF3700</b>				
2-Needle 2針		3-Needle 3針			2-Needle 2針		3-Needle 3針				
3.2mm	4.0mm	4.8mm	5.6mm	6.4mm	3.2mm	4.0mm	4.8mm	5.6mm	6.4mm		
18						19					
	<b>K3500</b>						<b>528B</b>				
2-Needle 2針		3-Needle 3針			2-Needle 2針		3-Needle 3針				
3.2mm	4.0mm	4.8mm	4.8mm	5.6mm	6.4mm	3.2mm	4.0mm	4.8mm	4.8mm	5.6mm	6.4mm
21						20					
	<b>528C</b>						<b>528K</b>				
2-Needle 2針		3-Needle 3針			2-Needle 2針		3-Needle 3針				
4.0mm	4.8mm	4.8mm	5.6mm	6.4mm	3.2mm	4.0mm	4.8mm	4.8mm	5.6mm	6.4mm	
22											
	<b>528CK</b>					<b>528CK</b>					
2-Needle 2針		3-Needle 3針			2-Needle 2針		3-Needle 3針				
4.0mm	4.8mm	5.6mm	6.4mm	5.6mm		6.4mm					

23					24						
	<b>528T</b>					<b>528TB</b>					
2-Needle 2針			3-Needle 3針			2-Needle 2針			3-Needle 3針		
3.2mm	4.0mm	3.2mm	4.0mm	3.2mm	3.2mm	4.0mm	3.2mm	4.0mm	3.2mm		
25					26						
	<b>528E</b>					<b>529E</b>					
2-Needle 2針			3-Needle 3針			2-Needle 2針			3-Needle 3針		
3.2mm	4.0mm	4.8mm	5.6mm	6.4mm	3.2mm	4.0mm	4.8mm	5.6mm	6.4mm		
27					28						
	<b>529ER</b>					<b>2500</b>					
Adjustable Tape Roller Guide 可調教滾輪導帶器						2-Needle 2針			3-Needle 3針		
3.2mm	4.0mm	4.8mm	4.8mm	5.6mm	6.4mm	4.0mm	4.8mm	4.8mm	5.6mm	6.4mm	
29					30						
	<b>R2500</b>					<b>2600</b>					
2-Needle 2針			3-Needle 3針			2-Needle 2針			3-Needle 3針		
4.0mm	4.8mm	5.6mm	6.4mm	4.0mm	4.8mm	5.6mm	6.4mm	5.6mm	6.4mm		
								↑ Shorter 短身 ↓			

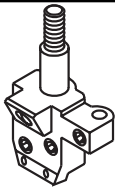
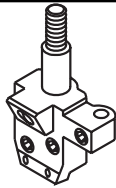
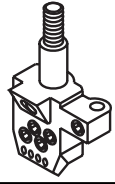
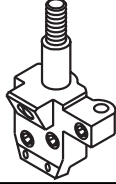
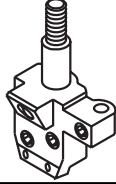
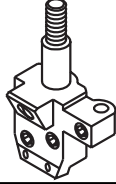
<p>31</p>  <table border="1" data-bbox="462 526 774 593"> <tr> <td>Space between guide &amp; needle</td> <td>1.0mm</td> </tr> <tr> <td>倍位與針距離</td> <td>1.8mm</td> </tr> </table>	Space between guide & needle	1.0mm	倍位與針距離	1.8mm	<p>32</p>  <table border="1" data-bbox="1149 526 1460 593"> <tr> <td>Space between guide &amp; needle</td> <td>1.8mm</td> </tr> <tr> <td>倍位與針距離</td> <td>1.8mm</td> </tr> </table>	Space between guide & needle	1.8mm	倍位與針距離	1.8mm
Space between guide & needle	1.0mm								
倍位與針距離	1.8mm								
Space between guide & needle	1.8mm								
倍位與針距離	1.8mm								
<b>2200L</b>		<b>2200R</b>							
2-Needle 2針	3-Needle 3針	2-Needle 2針	3-Needle 3針						
4.0mm	4.8mm	4.0mm	4.8mm						
	5.6mm	5.6mm	6.4mm						
	6.4mm		6.4mm						
<p>33</p>  <table border="1" data-bbox="462 974 774 1041"> <tr> <td>Space between guide &amp; needle</td> <td>1.0mm</td> </tr> <tr> <td>倍位與針距離</td> <td>1.8mm</td> </tr> </table>	Space between guide & needle	1.0mm	倍位與針距離	1.8mm	<p>34</p>  <table border="1" data-bbox="1149 974 1460 1041"> <tr> <td>Space between guide &amp; needle</td> <td>1.0mm</td> </tr> <tr> <td>倍位與針距離</td> <td>1.8mm</td> </tr> </table>	Space between guide & needle	1.0mm	倍位與針距離	1.8mm
Space between guide & needle	1.0mm								
倍位與針距離	1.8mm								
Space between guide & needle	1.0mm								
倍位與針距離	1.8mm								
<b>2300L</b>		<b>2300R</b>							
2-Needle 2針	3-Needle 3針	2-Needle 2針	3-Needle 3針						
4.0mm	4.8mm	4.0mm	4.8mm						
	5.6mm	5.6mm	6.4mm						
	6.4mm		6.4mm						
<p>35</p> 	<p>36</p> 								
<b>3507060</b>		<b>3507064</b>							
2-Needle 2針		3-Needle 3針							
3.2mm	4.0mm	4.8mm	5.6mm						
		6.4mm							
<p>37</p>  <p style="text-align: center;">Adjustable 可調教</p>	<p>38</p> 								
<b>2504</b>		<b>PFC42</b>							
4-Needle 4針		3-Needle 3針							
6.0mm		5.6mm	6.4mm						

39					40						
	<b>W664K</b>			<b>KT664PC</b>							
2-Needle 2針			3-Needle 3針			2-Needle 2針			3-Needle 3針		
3.2mm	4.0mm	4.8mm	4.8mm	5.6mm	6.4mm	4.0mm	4.8mm	4.8mm	5.6mm	6.4mm	
41											
	<b>KT664PG</b>										
2-Needle 2針			3-Needle 3針								
4.0mm	4.8mm	4.8mm	5.6mm	6.4mm							

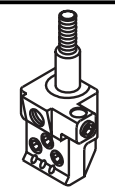
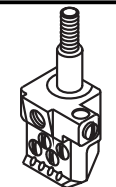
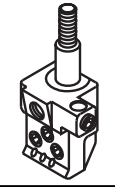
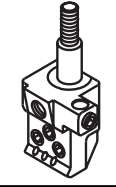
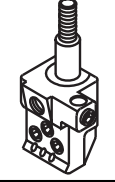
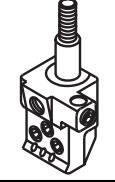
壓腳  
 Presser Feet

## 針頭 Needle Clamps

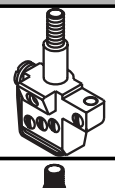
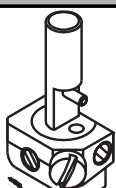
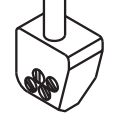
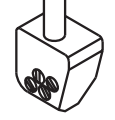
### 飛馬 Pegasus

1	W561		2N 2 針	3.2mm	257500		2N 2 針	3.2mm	257517	
				4.0mm				4.0mm		
				4.8mm				4.8mm		
			3N 3 針	4.8mm			257501	3N 3 針		4.8mm
				5.6mm						5.6mm
				6.4mm						6.4mm
3	W562 W664 W1562N		4N 4 針	6.0mm	257513-60 (P-6N4)			2N 2 針	3.2mm	257541
									4.0mm	
4	W664-34BB W664-35BB		3N 3 針	6.0mm	257541			3N 3 針	4.8mm	257542
							5.6mm		5.6mm	
								6.4mm		

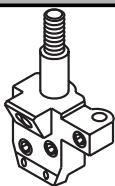
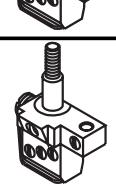
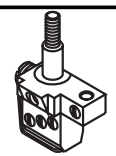
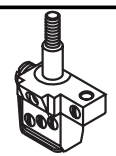
### 雅滿桃 Yamato

5	VC2600, VC2700 VF2200, VF2300 VG2700, VC2785 VG2713, VG3721		2N 2 針	3.2mm	Y93351		4N 4 針	6.0mm	Y-6N4	
				4.0mm	Y93352					
				4.8mm	Y93353					
			3N 3 針	4.8mm	Y93356					
				5.6mm	Y93357					
				6.4mm	Y93358					
7	VF-2500		2N 2 針	3.2mm	3209100		2N 2 針	3.2mm	93251	
				4.0mm	3209101			4.0mm	93252	
				4.8mm	3209102			4.8mm	93253	
			3N 3 針	4.8mm	3209106			3N 3 針	4.8mm	93256
				5.6mm	3209107				5.6mm	93257
				6.4mm	3209108				6.4mm	93258
9	DW-1700		2N 2 針	3.2mm	63255		2N 2 針	3.2mm	63255	
				4.0mm	63256			4.0mm	63256	
				4.8mm	63257			4.8mm	63257	
			3N 3 針	4.8mm	64009			3N 3 針	4.8mm	64009
				5.6mm	64066				5.6mm	64066
				6.4mm	64011				6.4mm	64011

### 關西 Kansai

10	WX8803D		2N 2 針	3.2mm	12-8060		2N 2 針	3.2mm	12-811	
				4.0mm	12-8070			4.0mm	12-812	
				4.8mm	12-8080			4.8mm	12-813	
			3N 3 針	5.6mm	12-8180			3N 3 針	5.6mm	12-814
				6.4mm	12-8190				6.4mm	12-815
11	DWK-1804D		2N 2 針	3.2mm	12-8060		2N 2 針	3.2mm	12-801	
				4.0mm	12-8070			4.0mm	12-802	
				4.8mm	12-8080			4.8mm	12-802	
			3N 3 針	5.6mm	12-8180			3N 3 針	5.6mm	12-801
				6.4mm	12-8190				6.4mm	12-802

### 兄弟 Brother

13	FD4-B271 FD4-B272		2N 2 針	3.2mm	S08699-001		2N 2 針	3.2mm	M4232
				4.0mm	S08701-001			4.0mm	M4240
				4.8mm	S08703-001			4.8mm	M4248
			3N 3 針	4.8mm	S08709-001		3N 3 針	5.6mm	M4356
				5.6mm	S08711-001			6.4mm	M4364
				6.4mm	S08713-001				
15	C007H F007H F007J		2N 2 針	3.2mm	M5232		2N 2 針	3.2mm	M5232
				4.0mm	M5240			4.0mm	M5240
				4.8mm	M5248			4.8mm	M5248
			3N 3 針	5.6mm	M5356		3N 3 針	5.6mm	M5356
				6.4mm	M5364			6.4mm	M5364

### 銀箭 Siruba

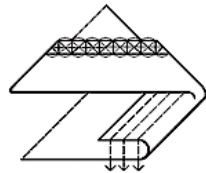
針頭 Needle Clamps

## 助縫器 Folder

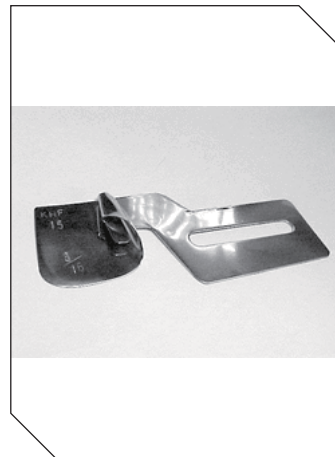
**KHF 14**

**Downturn Elastic Hemmer  
for Cover Stitch**

褲子腰部鬆緊帶捲邊器  
(繡縫車用)

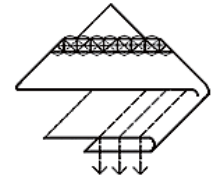


Finished Size 出口  
1/4" 3/8" 1/2"

**KHF 15**

**Single Upturn Folder for  
Cover Stitch**

散口摺邊器(繡縫車用)

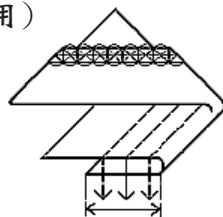


Finished Size 出口  
1/8" 3/16" 1/4"

**KHF 22**

**Adjustable Single Downturn  
Folder for Cover Stitch**

可調教式摺邊器(繡縫  
車用)

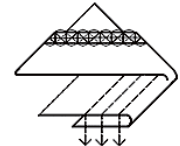


Adjustable 可調教

**KHF 34**

**Single Downturn Folder for  
Cover Stitch**

繡縫車摺邊器

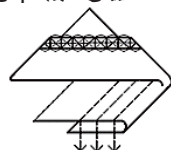


Finished size 出口  
3/8" 1/2"  
5/8" 3/4"  
1" 1-1/4"  
1-1/2"

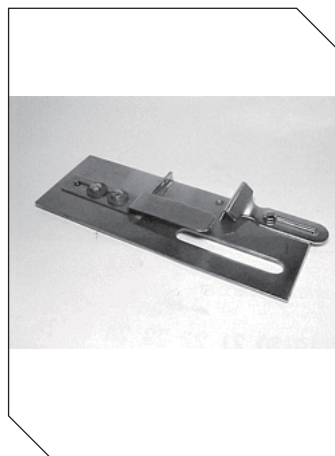
**KHF 40**

**Single Downturn Folder for  
Cover Stitch**

繡縫車摺邊器

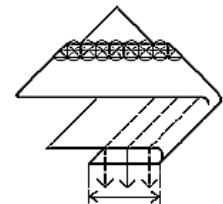


Finished size 出口  
3/8" 1/2"  
5/8" 3/4"  
7/8" 1"  
1-1/4" 1-1/2"

**KHF 46**

**Downturn Folder with  
T-Guide for Cover Stitch**

摺邊器連T字傍位  
(繡縫車用)

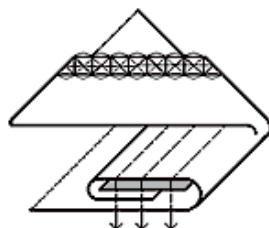


Adjustable 可調教

**KHF 54**

**Swing Hemmer with Elastic**

擺動式包鬆緊帶摺邊器



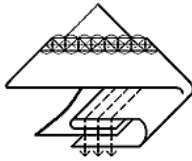
Elastic Size 鬆緊帶尺寸  
1/4" 3/8"

**KHF 57 & 62** 綑縫車直角包邊器  
**Right Angle Binder for Cover Stitch**

**KHF 57A/B**



**Type A**  
Single fold 面環底散

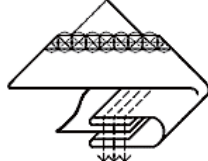


入口 Tape Size	出口 Finished Size
3/4"	1/4"
15/16"	5/16"
1-1/8"	3/8"
1-3/8"	1/2"
1-5/8"	5/8"
1-7/8"	3/4"
2-1/8"	7/8"
2-3/8"	1"
2-5/8"	1-1/8"
2-7/8"	1-1/4"
3-1/8"	1-3/8"
3-3/8"	1-1/2"

**KHF 62A/B**



**Type B**  
Double fold 雙環口

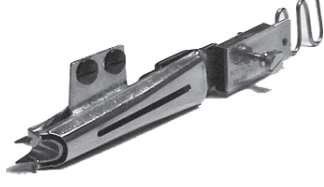


入口 Tape Size	出口 Finished Size
1"	1/4"
1-1/4"	5/16"
1-1/2"	3/8"
1-3/4"	1/2"
2"	5/8"
2-1/4"	3/4"
2-1/2"	7/8"
2-3/4"	1"
3"	1-1/8"
3-1/4"	1-1/4"
3-1/2"	1-3/8"
3-3/4"	1-1/2"

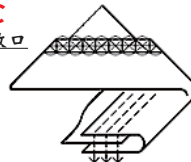
**KHF 57C**



**KHF 62C**



**Type C**  
Raw Edge 散口



入口 Tape Size	出口 Finished Size
1/2"	1/4"
5/8"	5/16"
3/4"	3/8"
7/8"	7/16"
1"	1/2"

**KHF 57/62 支架**  
**Brackets for KHF 57/62**

**KHF 162**



**KHF 528**

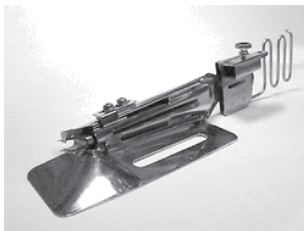


**KHF 622**

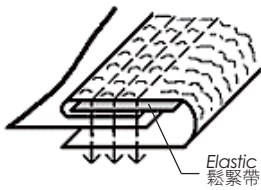


**KHF 57** 綑縫車直角包邊器(鬆緊帶包縫)  
**KHF 62** **Right Angle Binder for Cover Stitch**  
**(with Elastic)**

**KHF 57**  
**AE/BE**

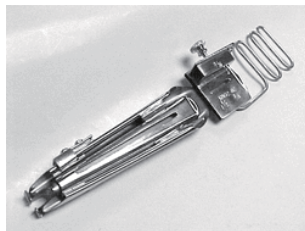


**Type AE**  
Single fold with Elastic  
面環底散(鬆緊帶包縫)

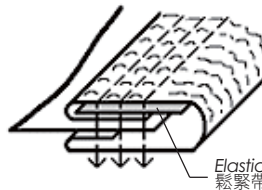


鬆緊帶 Elastic Size	入口 Tape Size	出口 Finished Size
1/4"	15/16"	5/16"
5/16"	1-1/8"	3/8"
7/16"	1-3/8"	1/2"

**KHF 62**  
**AE/BE**



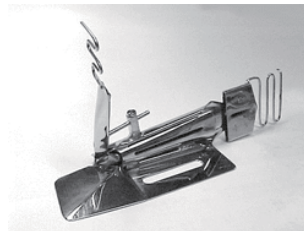
**Type BE**  
Double fold with Elastic  
雙環口(鬆緊帶包縫)



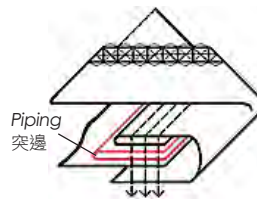
鬆緊帶 Elastic Size	入口 Tape Size	出口 Finished Size
1/4"	1-1/4"	5/16"
5/16"	1-1/2"	3/8"
7/16"	1-3/4"	1/2"

**KHF 57** 綑縫車直角包邊器(突邊)  
**KHF 62** **Right Angle Binder for Cover Stitch**  
**(with Piping)**

**KHF 57**  
**APP/BPP**



**Type APP**  
Single fold with Piping  
面環底散(突邊)

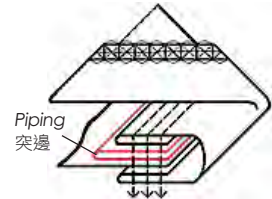


突邊 Piping Size	入口 Tape Size	出口 Finished Size
訂造 Tailor- made	參閱 See KHF 57A/ KHF 62A	參閱 See KHF 57A/ KHF 62A

**KHF 62**  
**APP/BPP**



**Type BPP**  
Double fold with Piping  
雙環口(突邊)

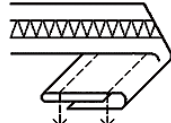


突邊 Piping Size	入口 Tape Size	出口 Finished Size
訂造 Tailor- made	參閱 See KHF 57B/ KHF 62B	參閱 See KHF 57B/ KHF 62B

Piping folder is mounted on the main folder and its position is adjustable.  
突邊助縫器是裝配在主包邊器上，突邊位置可調教。

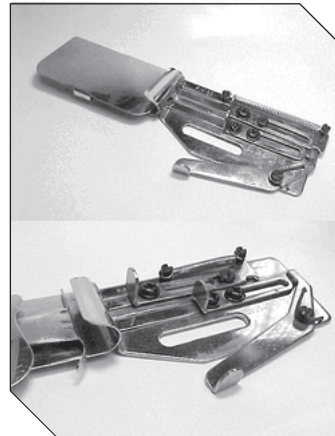


**KHF 83**  
Tape Attach Folder for Coverstitch  
繡縫車網條面貼器

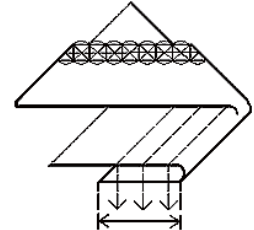


Tape Size 入口	Finished Size 出口
14mm	5.6mm
15mm	6.4mm
17mm	7.2mm
19mm	8.0mm
21mm	8.8mm

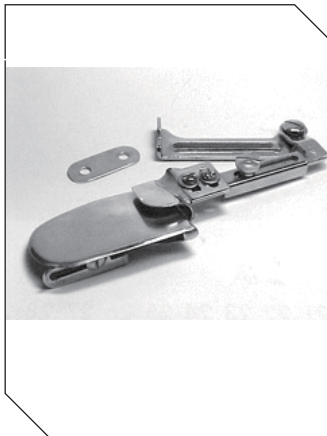
Fix on the Covering  
Stitch Presser Foot  
可置在繡縫車壓腳前



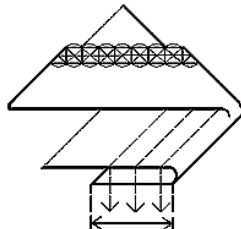
**KHF 84**  
Adjustable Downturn  
Folder for Cover Stitch  
可調教式繡縫車摺邊器



Adjustable (10-30mm)  
可調教 (10-30mm)



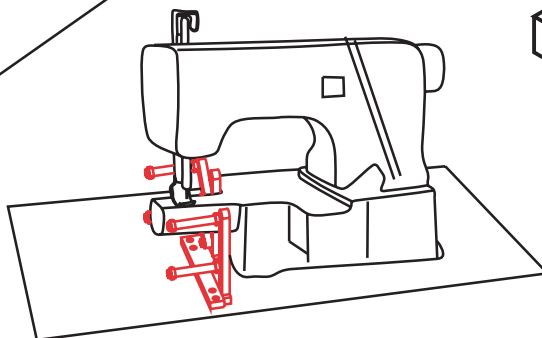
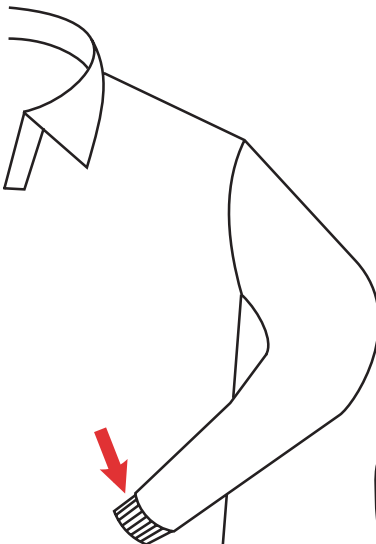
**KHF 89**  
Adjustable Downturn  
Folder for Cover Stitch  
可調教式繡縫車摺邊器



Adjustable  
可調教

## 鬆緊帶滾輪支架 Bearing Elastic Holder

**K200** Bearing Elastic Holder - for Elastic Sleeve Cuffs  
鬆緊帶滾輪支架 - 彈性束袖口



可調節  
Adjustable

可調節  
Adjustable

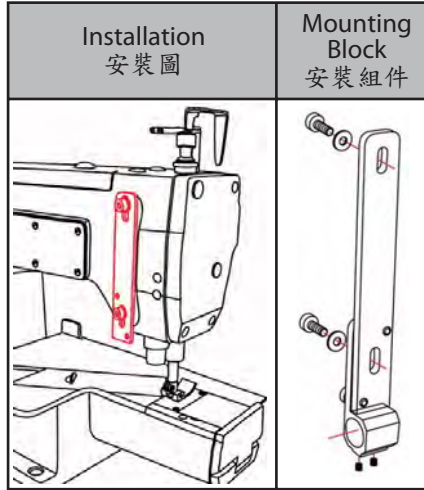
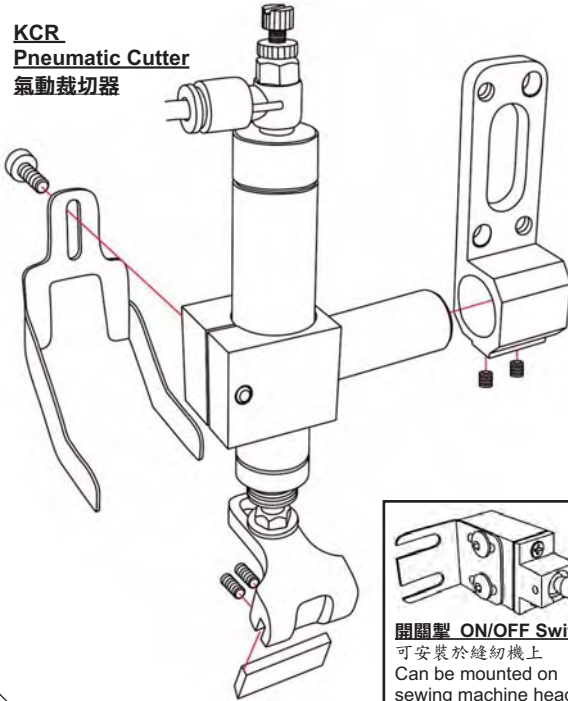


**氣動裁切器 Pneumatic Cutter** For Yamato/ Pegasus Cover-stitch Machine  
 雅滿桃/飛馬繡縫車用

**KCR-664** 氣動裁切器適用於切綑帶、通心帶、剪線等。只需一個按鈕(手動/膝動/腳踏)便能簡單裁切，亦可代替自動剪線系統或繁複的人手剪料工序，省時方便。

KCR Pneumatic Cutter is using air cylinder to cut tape, thread, spaghetti, etc. One (button/knee/pedal) switching operation can replace the auto-thread trimmer system. The cutting manpower can be avoided, the time and the cost can be saved.

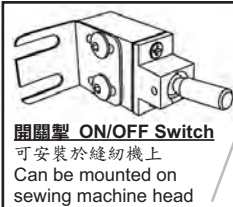
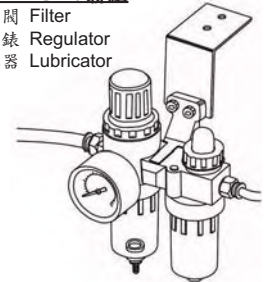
**KCR**  
**Pneumatic Cutter**  
 氣動裁切器



**鋼片 Metal Plate**  
 用膠水貼在刀口正下方的針板處  
 Adhesive on needle plate  
 under the knife

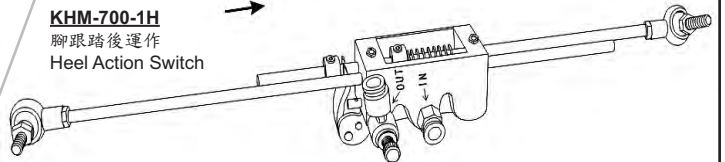


**F. R. L. Unit 聯組**  
 低壓閥 Filter  
 壓力錶 Regulator  
 油霧器 Lubricator



**開關型 ON/OFF Switch**  
 可安裝於縫紉機上  
 Can be mounted on  
 sewing machine head

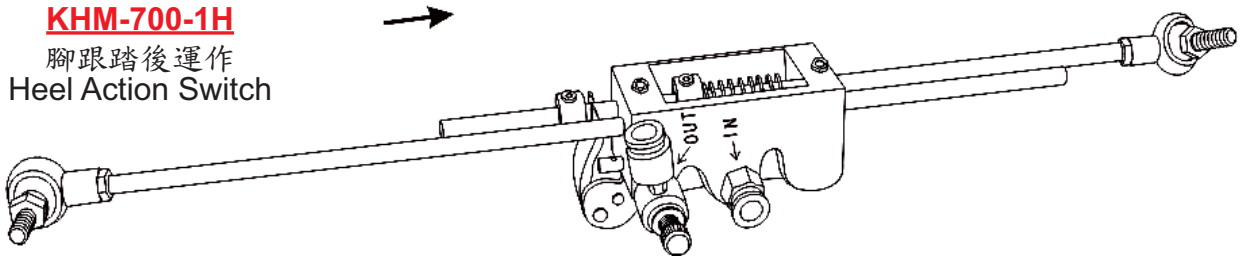
**KHM-700-1H**  
 腳跟踏後運作  
 Heel Action Switch



**氣閥馬達拉桿 Treadle Rod Air Switch**

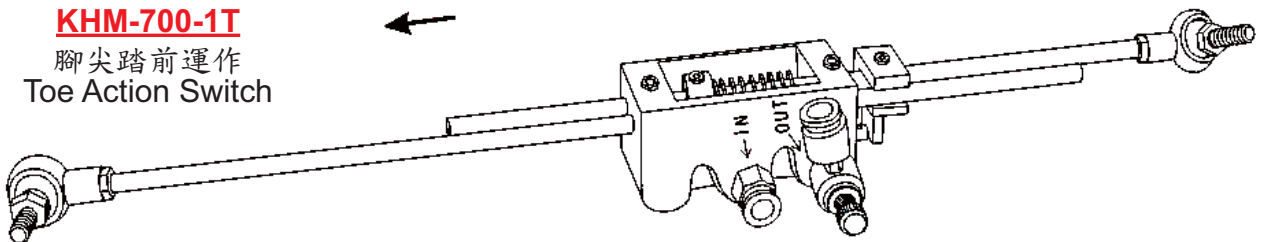
**KHM-700-1H**

腳跟踏後運作  
 Heel Action Switch



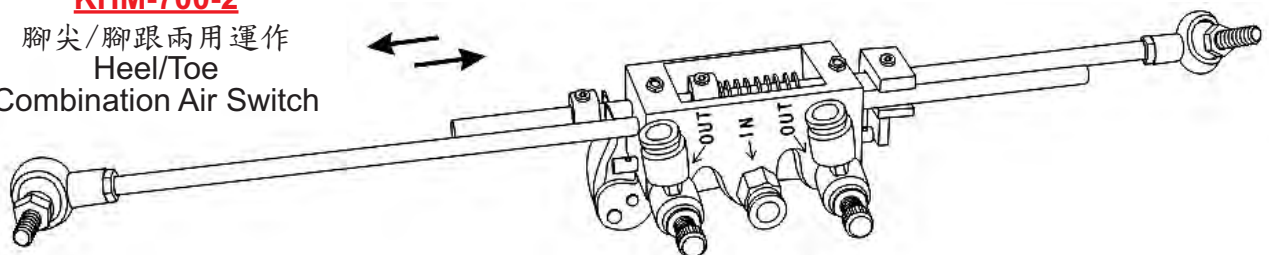
**KHM-700-1T**

腳尖踏前運作  
 Toe Action Switch



**KHM-700-2**

腳尖/腳跟兩用運作  
 Heel/Toe  
 Combination Air Switch



其他產品 Others

## 目錄 Index

產品編號 Part No.	頁數 Page No.	產品編號 Part No.	頁數 Page No.	產品編號 Part No.	頁數 Page No.
1266L (93415)	14	15-301	12	206455	1
12-801	7, 19	15-361	12	206456	1
12-802	7, 19	15-723	7	206818	1, 3, 10
12-8060	7, 19	15-724	7	206820	1, 10
12-8070	7, 19	15-727	7	206977	1
12-8080	7, 19	15-728	7	206978	1
12-8100-1	8	15-729	7	206979	1
12-811	7, 19	15-753	7	207053	1
12-812	7, 19	15-755	7	207054	1
12-813	7, 19	15-756	7	207055	1
12-814	19	15-758	7	207059	1, 3
12-815	19	15-805	7, 12	207060	1
12-8180	7, 19	15-806	7, 12	207108	3
12-8190	7, 19	15-807	7	207419	3
12-893	7, 19	15-808	7	2200L	17
14-567	8	15-811	7, 12	2200R	17
14-724	7	15-812	7, 12	2300L	17
14-726	7	15-813	7	2300R	17
14-734	7	15-814	7	2500	16
14-736	7	15-823	7	2504	17
14-738	7	15-828	7	251321A64	13
14-744	7	15-878	8	257000B32	1
14-746	7	201785A	1	257000B40	1
14-748	7	201786A	1, 2	257000B48	1
14-806	7	201850	1, 2	257001B56	1
14-807	7	201855	1, 2	257001B64	1
14-808	7	201856	1, 2	257006B	3
14-818C	7	206270	1	257009B40	2
14-818D	7	206271	1	257009B48	2
14-818G	8	206272	1	257010B56	2
14-818	7	206276C	3	257010B64	2
14-819C	7	206276D	3	257012A	1
14-819D	7	206276G	3	257013A	1
14-819G	8	206276	1	257014A	1
14-819	7	206277C	3	257015B32	1
14-854C	7	206277D	3	257015B40	1
14-854D	7	206277G	3	257015B48	1
14-854G	8	206277	1	257018B56	1
14-854	7	206278	1	257018B64	1
14-856	7	206279	1, 9	257018B-L	1
14-858	7	206280	1	257018C56	3
14-862	7	206281	1, 2, 9	257018C64	3
14-864C	7	206282	1	257018D56	3
14-864D	7	206283	1, 9	257018D64	3
14-864G	8	206284	1	257018G56	3
14-864	7	206285	1, 9	257018G64	3
14-866	7	206356	1	257020-60	1
14-868	7	206357	1	257023B32	2
14-893	7	206358	1	257024B40	2

產品編號 Part No.	頁數 Page No.	產品編號 Part No.	頁數 Page No.	產品編號 Part No.	頁數 Page No.
257024B48	2	257222-16F	2, 10	257352-56	13
257025B56	2	257242-16F	1, 10	257352-64	13
257025B64	2	257243-16F	1	257357-48	13
257029B	2	257243-16F	10	257358-64	13
257030B	2	257244-16F	2	257471	13
257031B	2	257245-16F	2	257472	13
257033B	2	257246-16F	2, 10	257485	13
257040B48	2	257250-16F	1, 9	257486	13
257041B56	2	257251-16F	1	257500	1, 2, 19
257041B64	2	257252-16F	1, 9	257501	1, 2, 3, 19
257049B32A	2	257253-16F	3, 10	257513-60	1, 19
257049B32	2	257255-16F	2, 9	257517	1, 2, 19
257050B40A	2	257256-16F	1	257518	1, 2, 3, 19
257050B40	2	257258-16F	1, 9	257541	3, 19
257050B48A	2	257259-16F	1, 9	257542	1, 2, 3, 19
257050B48	2	257260-16F	2	259100-16F	3, 10
257051B48A	2	257261-16F	2, 9	259101-16F	3, 10
257051B48	2	257262-16F	2, 9	259103-16F	3, 10
257053B56A	2	257266-16F	2	259104-16F	2
257053B56	2	257267-16F	2, 10	259105-16F	2, 10
257053B64A	2	257268-16FA	2, 10	259106-16F	2, 10
257053B64	2	257268-16F	2, 10	259202-16F	3, 10
257097B	3	257280-16F	2, 9	259203-16F	3, 10
257100B32	3	257289-16F	1, 10	259215-16F	3, 10
257100B40	3	257290-16F	1, 10	259216-16F	2
257100B48	3	257291-16F	2	259217-16F	2, 10
257100C32	3	257292-16F	2	259218-16F	2, 10
257100C40	3	257293-16F	2, 10	259620B56	1
257100C48	3	257297-16F	2, 9	259632B	2
257101B56	3	257300A32	13	259672C56	1
257101C56	3	257300A40	13	2600	16
257102B48	3	257300A48	13	2700KN	14
257102B56	3	257301A56	13	2700K	14
257102B64	3	257301A64	13	306397	2
257102C48	3	257312A32	13	306398	2
257102C56	3	257312A40	13	306399	2
257102C64	3	257312A48	13	306400	2
257200-16F	1, 3, 9	257313A56	13	306401	2, 9
257201-16F	1	257313A64	13	3100L	14
257202-16F	1, 3, 9	257317A32	13	3100R	14
257203A-16F	1	257318A40	13	3106000	4, 11
257206-16F	1, 9	257318A48	13	3106001	4, 11
257207-16F	1, 9, 10	257321A56	13	3107050N	14
257208-16F	2	257327A32	13	3107050	14
257209-16F	2, 9	257328A40	13	3109000	4, 11
257210-16F	2, 9	257328A48	13	3109001	4, 11
257214-16F	2	257330A48	13	3109002	4, 11
257215-16F	2	257331A56	13	3109003	4
257216-16F	2, 9	257331A64	13	3109015	5
257220-16F	2	257350-32	13	3109016	5
257221-16F	2, 10	257351-40	13	3109017	5

產品編號 Part No.	頁數 Page No.	產品編號 Part No.	頁數 Page No.	產品編號 Part No.	頁數 Page No.
3109018	5	3509036	6, 12	93396	4
3109020	5, 11	3509037	6, 12	93397	4
3109021	5, 11	3509039	6, 12	93411	3, 12
3109022	5	357351-48	13	93412	3, 12
3109024	5, 11	357358-56	13	94230	5
3109025	5, 11	3700	15	94231	5
3109055	6	50305BX	8, 12	94232	5
3139000	6	50318AL	8	94233	5, 12
3139001	6	50324AU	8	94593	5, 6, 12
3209000	4, 11	50326BT	8, 12	95087	5, 12
3209001	4, 11	528B	15	95263	5, 6, 12
3209002	4	528CK	15	CF3700	15
3209003	4, 11	528C	15	K200	22
3209005	5	528E	16	K3500	15
3209007	5	528K	15	KHF14	20
3209008	5, 11	528TB	16	KHF15	20
3209009	5, 11	528T	16	KHF162	21
3209012	5, 6, 11	529ER	16	KHF22	20
3209013	5, 6, 11	529E	16	KHF34	20
3209014	5	63142	4	KHF40	20
3209016	5	63255	4, 5, 19	KHF46	20
3209064	5, 11	63256	4, 5, 19	KHF528	21
3209065	5, 11	63257	4, 5, 19	KHF54	20
3209080	4, 11	63304	4	KHF57AE	21
3209081	4, 11	63350	4	KHF57APP	21
3209100	4, 5, 6, 19	63351	4	KHF57A	21
3209101	4, 5, 6, 19	63359	5	KHF57BE	21
3209102	4, 5, 6, 19	63360	5	KHF57BPP	21
3209106	4, 5, 6, 19	64009	4, 19	KHF57B	21
3209107	4, 5, 6, 19	64010	4, 19	KHF57C	21
3209108	4, 5, 6, 19	64011	4, 5, 19	KHF622	21
3507060	17	64066	5	KHF62APP	21
3507061	17	90344	3, 4, 5	KHF62A	21
3507064	17	90625	3	KHF62BE	21
3507065	17	91728	4	KHF62BPP	21
3508030	6	91729	4	KHF62B	21
3508031	6	92145	5	KHF62C	21
3508032	6	92146	5	KHF83	22
3508033	6	93251	4, 5, 6, 19	KHF84	22
3508040	6	93252	4, 5, 6, 19	KHF89	22
3508030L	6	93253	4, 5, 6, 19	KT664PC	19
3508031L	6	93256	4, 5, 6, 19	KT664PG	19
3508032L	6	93257	4, 5, 6, 19	M4232	19
3508033L	6	93258	4, 5, 6, 19	M4240	19
3508040L	6	93351	4, 5, 6	M4248	19
3509000	5, 11	93352	3, 4, 5, 6	M4356	19
3509001	5, 11	93353	4, 5, 6	M4364	19
3509004	4, 11	93356	4, 5, 6	M5232	19
3509005	4, 6, 11	93357	4, 5, 6	M5240	19
3509007	6, 11	93358	4, 5, 6	M5248	19
3509010	6, 11	93394	4, 12	M5356	19
3509012	6, 11	93395	4, 12	M5364	19

產品編號 <u>Part No.</u>	頁數 <u>Page No.</u>	產品編號 <u>Part No.</u>	頁數 <u>Page No.</u>	產品編號 <u>Part No.</u>	頁數 <u>Page No.</u>
P-6N4	19	Y3108135D	6	Y64041	14
PFC42	17	Y3108135G	7	Y64042N	14
R2500	16	Y3108135L	4	Y64042	14
S08699-001	8, 19	Y3108135	4	Y67035	5
S08701-001	8, 19	Y3108136	4	Y-6N4	4, 19
S08703-001	8, 19	Y3208052	5	Y90166	3
S08709-001	19	Y3208102	5	Y91764	4
S08711-001	8, 19	Y3208103	5	Y92152	5
S08713-001	8, 19	Y3208104	5	Y93170	4
S08717-001	8	Y3208108	5	Y93171	4
S08718-001	8	Y3208109	5	Y93172	4
S08719-001	8	Y3508000	4	Y93351	19
S08723-001C	8	Y3508001	4	Y93352	19
S08723-001D	8	Y3508002-2	4	Y93353	19
S08723-001G	8	Y3508002	4	Y93356	19
S08723-001	8	Y3508003C	6	Y93357	19
S08724-001C	8	Y3508003D	6	Y93358	19
S08724-001D	8	Y3508003L	4	Y93410	3
S08724-001G	8	Y3508003	4	Y94210	5
S08724-001	8	Y3508004C	6	Y94212	5
S08725-101	8	Y3508004D	6	Y94800	4
S08726-001	8	Y3508004L	4	Y94801C	6
S08727-001	8	Y3508004	4	Y94801D	6
S08731-001	8	Y3508019L	6	Y94801G	7
S08732-001	8	Y3508019	6	Y94801L	4
S08740-001	8	Y3508020L	6	Y94801	4
S08741-001	8	Y3508020	6	Y94802C	6
S08745-001	8	Y3508020L-3N	6	Y94802D	6
S08746-001	8	Y35080203N	6	Y94802G	7
S08882-001	8, 12	Y3508021L	6	Y94802L	4
S08883-001	8, 12	Y3508021	6	Y94802	4
S08885-001	8, 12	Y3508022L	6	Y94902	5
S08886-001	8, 12	Y3508022	6	Y95085	5
S08888-101	8, 12	Y3508049	5	Y95234	5
W664K	19	Y3508050	5	Y95260A	6
Y3108001	5	Y3508051-2	5	Y95260	5
Y3108002	5	Y3508051	5	Y95261A	6
Y3108003	5	Y3508052	5	Y95261	5
Y3108004	5	Y3508053	5	Y95262A	6
Y3108005	5	Y3508097	6	Y95262	5
Y3108006	5	Y3508098	6	Y95277A	6
Y3108054	6	Y3508099-1	6	Y95277	5
Y3108130	4	Y3508099	6	Y95278A	6
Y3108131	4	Y3508100	6	Y95278	5
Y3108132	4	Y3508101	6	Y95279A	6
Y3108133	4	Y63318N	14	Y95279	5
Y3108134C	6	Y63318	14	Y95313	14
Y3108134D	6	Y63319N	14	Y95314	14
Y3108134G	7	Y63319	14	Y95315	14
Y3108134L	4	Y63320N	14	Y95316	14
Y3108134	4	Y63320	14	Y95317	14
Y3108135C	6	Y64041N	14		

# K<sup>®</sup>

[kwokhing.com](http://kwokhing.com)

Spare  
Parts for  
Interlock  
Stitch

繃 縫 Machine

零 件



國興針車公司

香港九龍荔枝角道103-107號地下

**Kwok Hing Sewing Machine Co.**

G/F., 103-107 Lai Chi Kok Road, Kowloon, Hong Kong

Tel: (852) 2394 8163 Fax: (852) 2789 2681

[kwokhing.com](http://kwokhing.com)

Email: [spareparts@kwokhing.com](mailto:spareparts@kwokhing.com)